

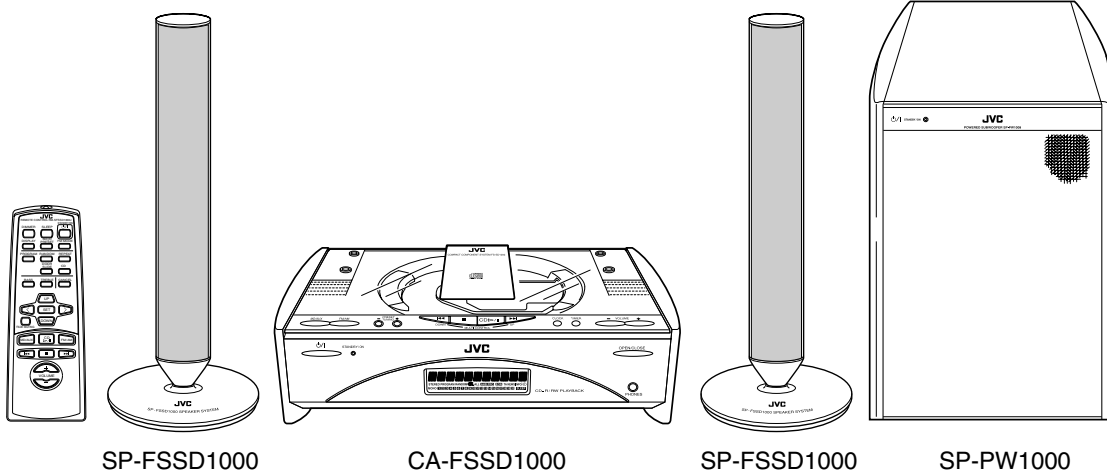
JVC

SERVICE MANUAL

COMPACT COMPONENT SYSTEM

FS-SD1000

Area suffix	
UF	China
UP	Korea
US	Singapore
UT	Taiwan
UW	Brazil, Mexico, Peru



SP-FSSD1000

CA-FSSD1000

SP-FSSD1000

SP-PW1000



Contents This model not have adjustment.

Safety Precautions	1-2	Flow of functional operation	
Preventing static electricity	1-3	unit TOC read	1-17
Important for laser products	1-4	Method of connecting	
Disassembly method	1-5	treatment device wire	1-18
Maintenance of laser pickup	1-16	Description of major ICs	1-19~31
Replacement of laser pickup	1-16		

Safety Precautions

1. This design of this product contains special hardware and many circuits and components specially for safety purposes. For continued protection, no changes should be made to the original design unless authorized in writing by the manufacturer. Replacement parts must be identical to those used in the original circuits. Services should be performed by qualified personnel only.
2. Alterations of the design or circuitry of the product should not be made. Any design alterations of the product should not be made. Any design alterations or additions will void the manufacturer's warranty and will further relieve the manufacture of responsibility for personal injury or property damage resulting therefrom.
3. Many electrical and mechanical parts in the products have special safety-related characteristics. These characteristics are often not evident from visual inspection nor can the protection afforded by them necessarily be obtained by using replacement components rated for higher voltage, wattage, etc. Replacement parts which have these special safety characteristics are identified in the Parts List of Service Manual. Electrical components having such features are identified by shading on the schematics and by (\triangle) on the Parts List in the Service Manual. The use of a substitute replacement which does not have the same safety characteristics as the recommended replacement parts shown in the Parts List of Service Manual may create shock, fire, or other hazards.
4. The leads in the products are routed and dressed with ties, clamps, tubings, barriers and the like to be separated from live parts, high temperature parts, moving parts and/or sharp edges for the prevention of electric shock and fire hazard. When service is required, the original lead routing and dress should be observed, and it should be confirmed that they have been returned to normal, after re-assembling.

5. Leakage current check (Electrical shock hazard testing)

After re-assembling the product, always perform an isolation check on the exposed metal parts of the product (antenna terminals, knobs, metal cabinet, screw heads, headphone jack, control shafts, etc.) to be sure the product is safe to operate without danger of electrical shock.

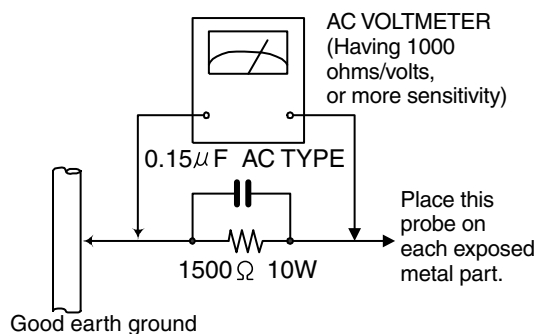
Do not use a line isolation transformer during this check.

- Plug the AC line cord directly into the AC outlet. Using a "Leakage Current Tester", measure the leakage current from each exposed metal parts of the cabinet, particularly any exposed metal part having a return path to the chassis, to a known good earth ground. Any leakage current must not exceed 0.5mA AC (r.m.s.).

- Alternate check method

Plug the AC line cord directly into the AC outlet. Use an AC voltmeter having, 1,000 ohms per volt or more sensitivity in the following manner. Connect a $1,500\ \Omega$ 10W resistor paralleled by a $0.15\ \mu\text{F}$ AC-type capacitor between an exposed metal part and a known good earth ground. Measure the AC voltage across the resistor with the AC voltmeter.

Move the resistor connection to each exposed metal part, particularly any exposed metal part having a return path to the chassis, and measure the AC voltage across the resistor. Now, reverse the plug in the AC outlet and repeat each measurement. Any voltage measured must not exceed 0.75 V AC (r.m.s.). This corresponds to 0.5 mA AC (r.m.s.).



Warning

1. This equipment has been designed and manufactured to meet international safety standards.
2. It is the legal responsibility of the repairer to ensure that these safety standards are maintained.
3. Repairs must be made in accordance with the relevant safety standards.
4. It is essential that safety critical components are replaced by approved parts.
5. If mains voltage selector is provided, check setting for local voltage.

CAUTION

Burrs formed during molding may be left over on some parts of the chassis. Therefore, pay attention to such burrs in the case of performing repair of this system.

In regard with component parts appearing on the silk-screen printed side (parts side) of the PWB diagrams, the parts that are printed over with black such as the resistor (\blacksquare), diode (\blacksquare) and ICP (\bullet) or identified by the " \triangle " mark nearby are critical for safety.

When replacing them, be sure to use the parts of the same type and rating as specified by the manufacturer. (Except the JC version)

Preventing static electricity

1. Grounding to prevent damage by static electricity

Electrostatic discharge (ESD), which occurs when static electricity stored in the body, fabric, etc. is discharged, can destroy the laser diode in the traverse unit (optical pickup). Take care to prevent this when performing repairs.

2. About the earth processing for the destruction prevention by static electricity

Static electricity in the work area can destroy the optical pickup (laser diode) in devices such as CD players. Be careful to use proper grounding in the area where repairs are being performed.

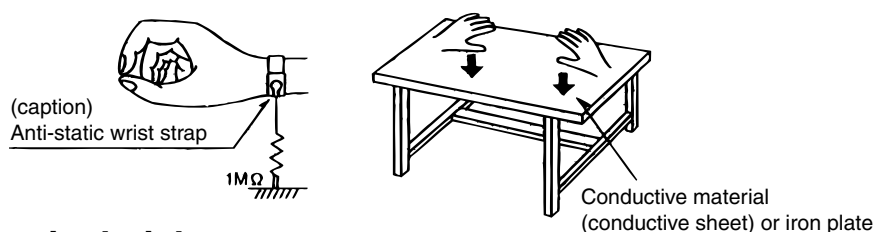
Be careful to use proper grounding in the area where repairs are being performed.

2-1 Ground the workbench

Ground the workbench by laying conductive material (such as a conductive sheet) or an iron plate over it before placing the traverse unit (optical pickup) on it.

2-2 Ground yourself

Use an anti-static wrist strap to release any static electricity built up in your body.



3. Handling the optical pickup

1. In order to maintain quality during transport and before installation, both sides of the laser diode on the replacement optical pickup are shorted. After replacement, return the shorted parts to their original condition. (Refer to the text.)

2. Do not use a tester to check the condition of the laser diode in the optical pickup. The tester's internal power source can easily destroy the laser diode.

4. Handling the traverse unit (optical pickup)

1. Do not subject the traverse unit (optical pickup) to strong shocks, as it is a sensitive, complex unit.

2. Cut off the shorted part of the flexible cable using nippers, etc. after replacing the optical pickup. For specific details, refer to the replacement procedure in the text. Remove the anti-static pin when replacing the traverse unit. Be careful not to take too long a time when attaching it to the connector.

3. Handle the flexible cable carefully as it may break when subjected to strong force.

4. It is not possible to adjust the semi-fixed resistor that adjusts the laser power. Do not turn it

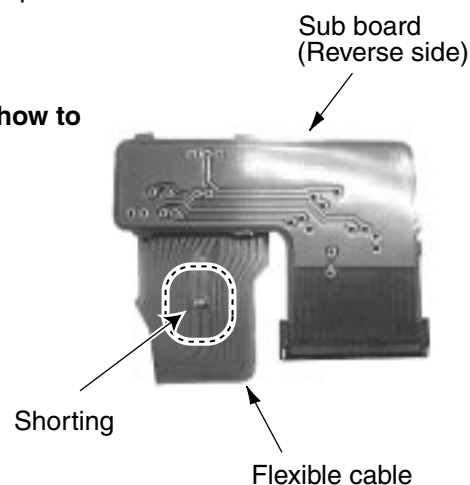
Attention when traverse unit is decomposed

***Please refer to "Disassembly method" in the text for pick-up and how to detach the substrate.**

1. Solder is put up before the card wire is removed from connector on the CD substrate as shown in Figure.

(When the wire is removed without putting up solder, the CD pick-up assembly might destroy.)

2. Please remove solder after connecting the card wire with when you install picking up in the substrate.



Important for laser products

1.CLASS 1 LASER PRODUCT

2.DANGER : Invisible laser radiation when open and inter lock failed or defeated. Avoid direct exposure to beam.

3.CAUTION : There are no serviceable parts inside the Laser Unit. Do not disassemble the Laser Unit. Replace the complete Laser Unit if it malfunctions.

4.CAUTION : The compact disc player uses invisible laser radiation and is equipped with safety switches which prevent emission of radiation when the drawer is open and the safety interlocks have failed or are defeated. It is dangerous to defeat the safety switches.

5.CAUTION : If safety switches malfunction, the laser is able to function.

6.CAUTION : Use of controls, adjustments or performance of procedures other than those specified herein may result in hazardous radiation exposure.

⚠ CAUTION Please use enough caution not to see the beam directly or touch it in case of an adjustment or operation check.

WARNING : Osynlig laserstrålning är denna del är öppnad och spårren är urkopplad. Betrakta ej strålen.

VARO : Avattaessa ja suojalukitus ohitettaessa olet alltiina näkymättömälle lasersäteilylle.Älä katso säteeseen.

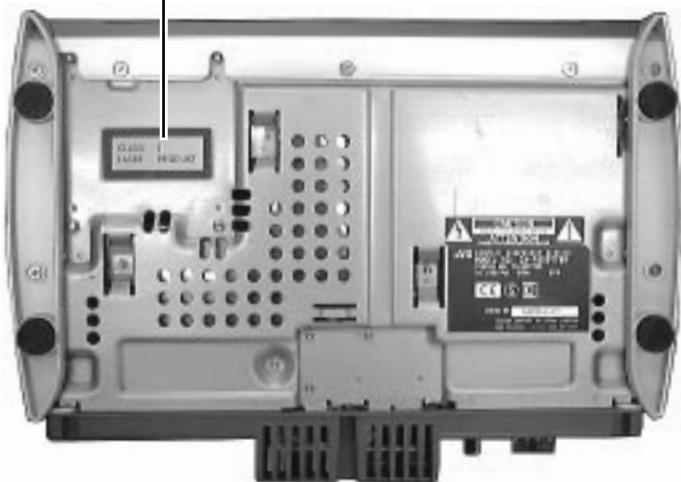
ADVARSEL : Usynlig laserstrålning ved åbning , når sikkerhedsafbrydere er ude af funktion. Undgå udsættelse for stråling.

ADVARSEL : Usynlig laserstrålning ved åbning,når sikkerhedsbryteren er avslott. unngå utsettelse for stråling.

REPRODUCTION AND POSITION OF LABELS

WARNING LABEL

**CLASS 1
LASER PRODUCT**



DANGER : Invisible laser radiation when open and interlock or defeated.
AVOID DIRECT EXPOSURE TO BEAM (e)

WARNING : Osynlig laserstrålning är denna del är öppnad och spårren är urkopplad. Betrakta ej strålen. (s)

VARO : Avattaessa ja suojalukitus ohitettaessa olet alltiina näkymättömälle lasersäteilylle.Älä katso säteeseen. (d)

ADVARSEL :Usynlig laserstrålning ved åbning , når sikkerhedsafbrydere er ude af funktion. Undgå udsættelse for stråling. (f)



Disassembly method

<Main body>

■ Removing the CD door (See Fig.1)

1. Remove the four screws **A** attaching the CD door on the upper side of the body.

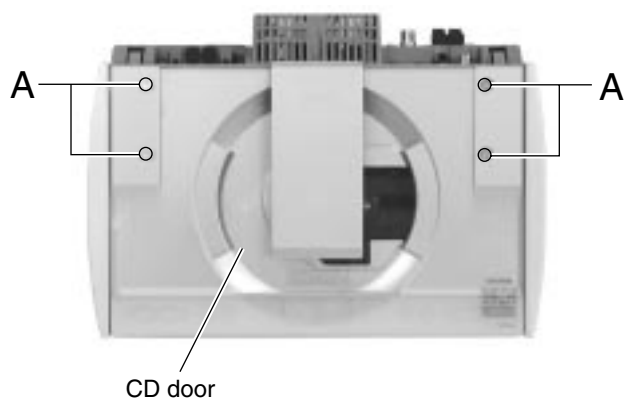


Fig.1

■ Removing the rear cover (See Fig.2)

- Prior to performing the following procedure, remove the CD door.

1. Remove the ten screws **B** and the five screws **C** attaching the rear cover on the back of the body.

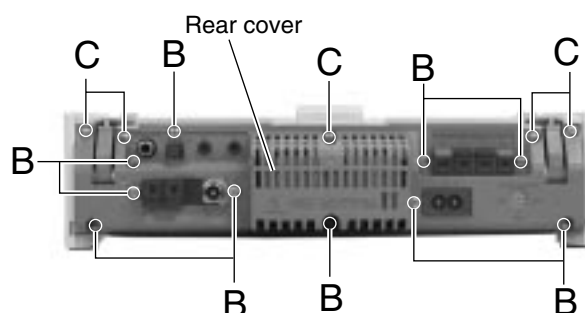


Fig.2

■ Removing the right and left covers (See Fig.3)

- Prior to performing the following procedure, remove the CD door, the rear cover.

1. Remove the four screws **D** attaching the side covers on the bottom of the body.
2. Move the left cover backward and remove outward. Also remove the right cover in the same way.

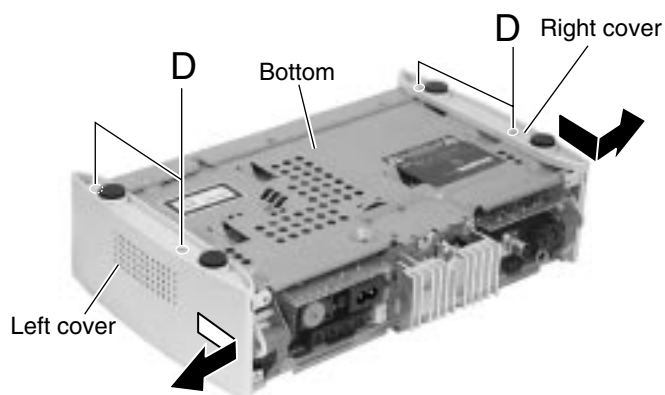
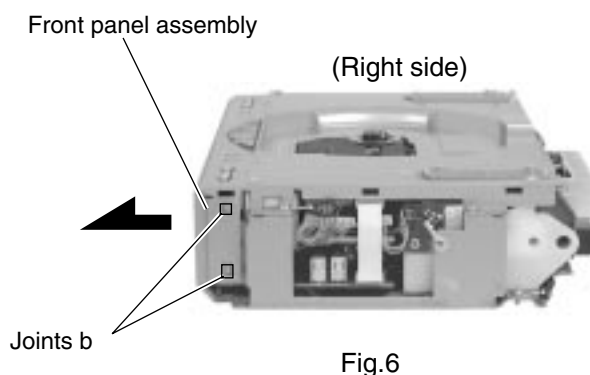
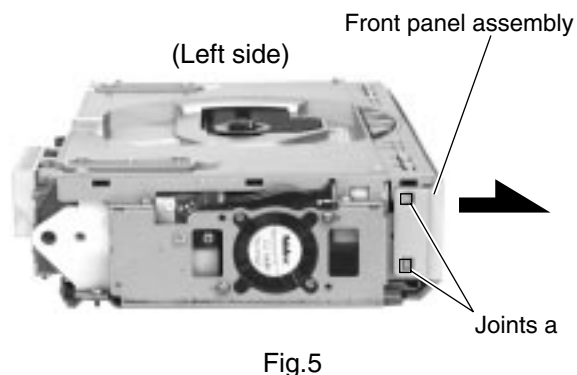
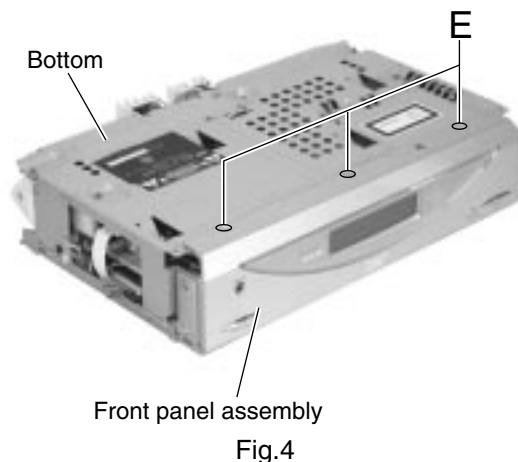


Fig.3

■Removing the front panel assembly (See Fig.4 to 6)

• Prior to performing the following procedure, remove the CD door, the rear cover and the side covers.

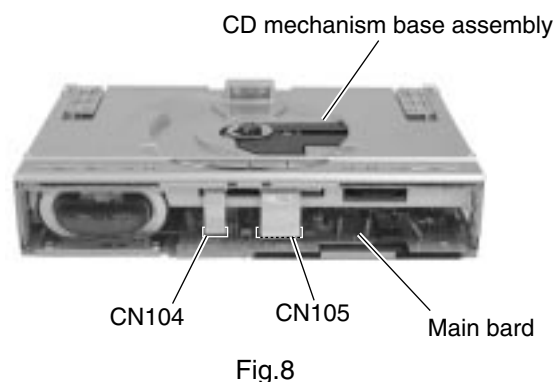
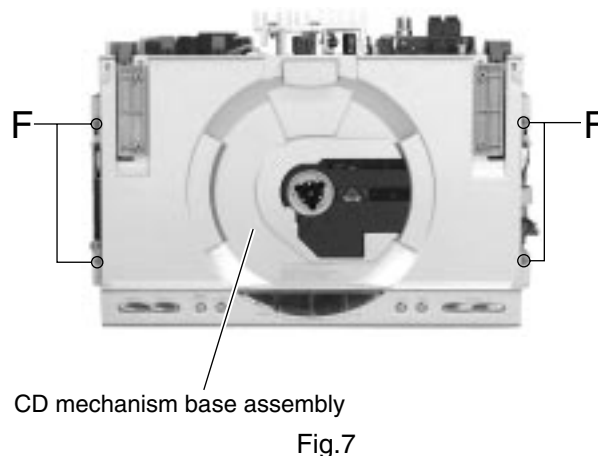
1. Remove the three screws **E** on the bottom of the body.
2. Release two joints **a** and two joints **b** on both sides of the body using a screwdriver and remove the front panel assembly toward the front.



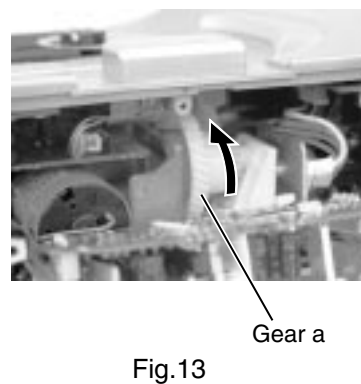
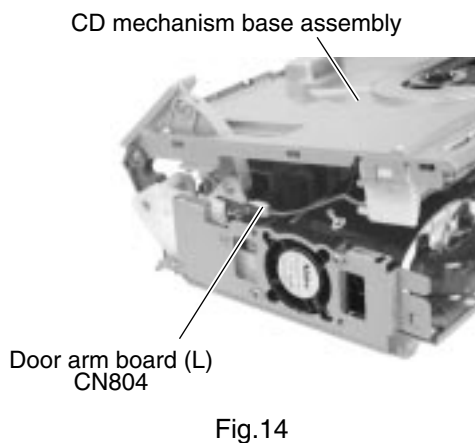
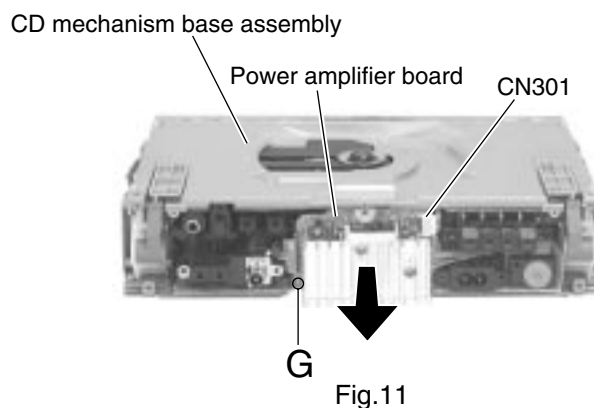
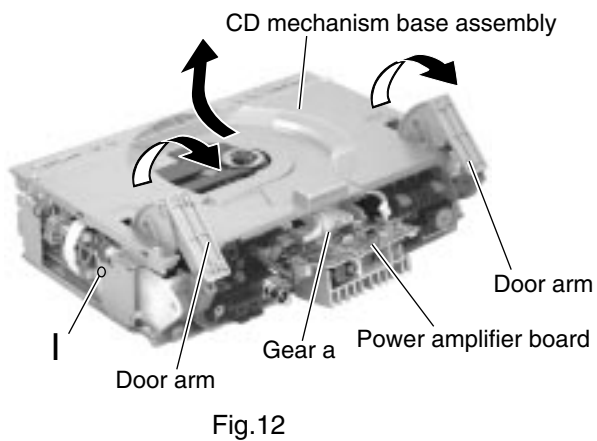
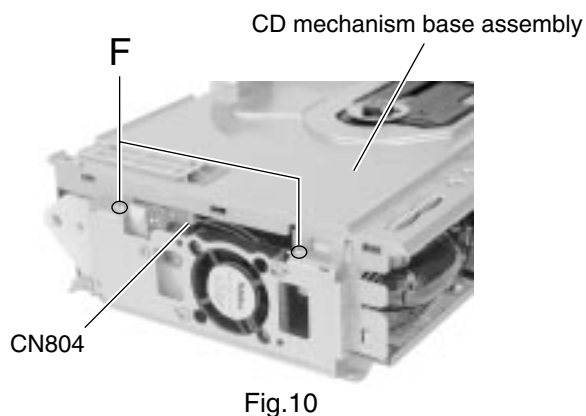
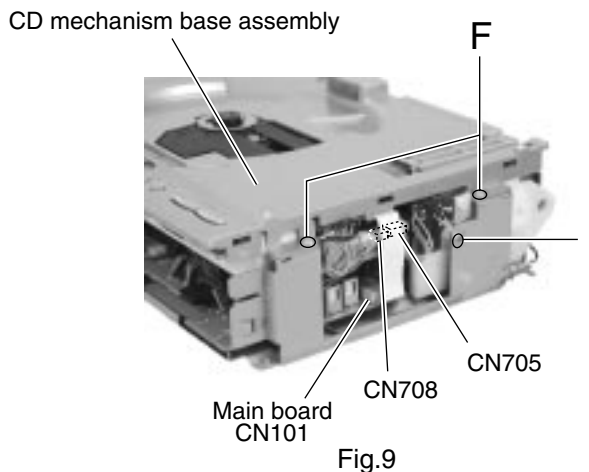
■Removing the CD mechanism base assembly (See Fig.7 to 14)

• Prior to performing the following procedure, remove the CD door, the rear cover, the side covers and the front panel assembly.

1. Disconnect the card wire from connector CN104 and CN105 of the main board in the front part of the body. Disconnect the card wire from CN101 of the main board on the right side, and the wire from CN705 and CN708 of the CD mechanism base assembly respectively.
2. Remove the four screws **F** attaching the CD mechanism base assembly on the upper side of the body. Remove the screw **I** attaching the earth terminal on the right side.



3. Remove the screw **G** attaching the power amplifier board on the back of the body. Disconnect the wire from connector CN301 and pull the power amplifier board fully outward.
4. Raise the right and left door arms by turning the gear **a** in the rear of the power amplifier board.
5. After the CD mechanism base assembly is detached from the door arms, pull the CD mechanism base assembly toward the front and disconnect the wire from connector CN804 on the left side of the door arm board.
6. Pull out the CD mechanism base assembly toward the front.



■Removing the door arm assembly / the door arm board (R) and (L)

(See Fig.15 to 20)

• Prior to performing the following procedure, remove the rear cover, the side covers, the front panel assembly and the CD mechanism base assembly.

1. In case that the upper parts of the door arms attached to the CD door are not level, let down them to the level position by turning the gear **a** in the direction of the arrow.

ATTENTION: When the door arms incline, the door arm assembly and the door arm board (R) and (L) may not be removed.

2. Remove the four screws **H** on the upper side and the one screw **I** on the left side of the body.
3. Remove the four screws **J** attaching the door arm board (L) and (R) on both sides of the door arm assembly.

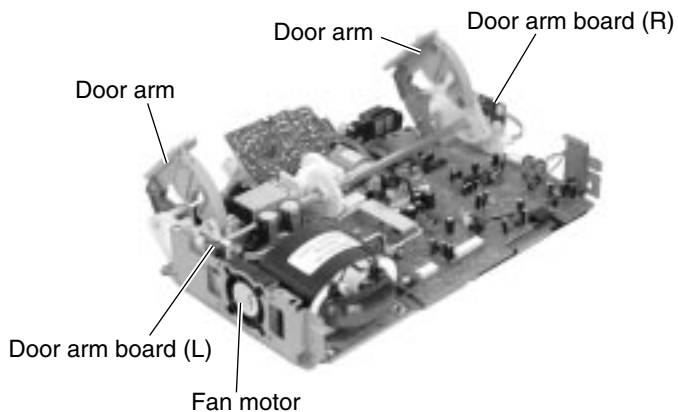


Fig.15

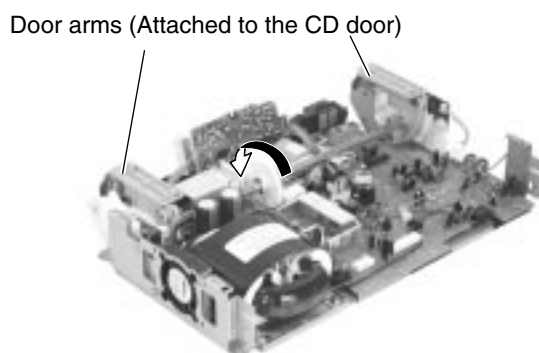


Fig.16

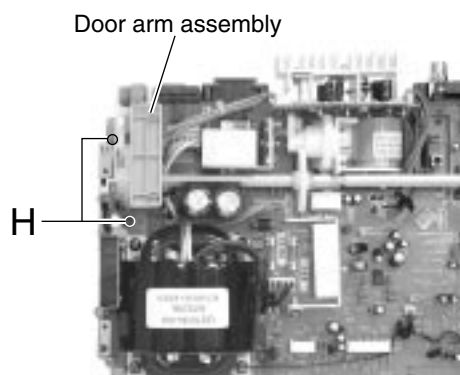


Fig.17

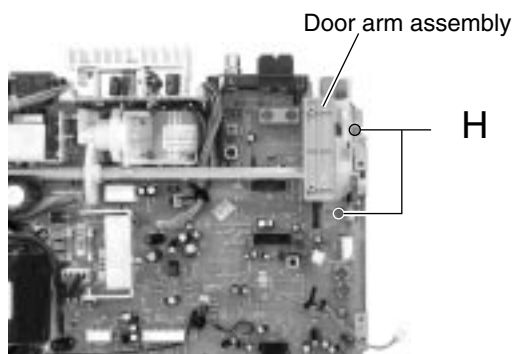


Fig.18

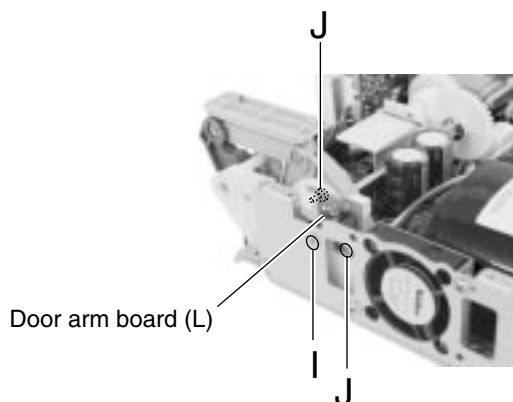


Fig.19

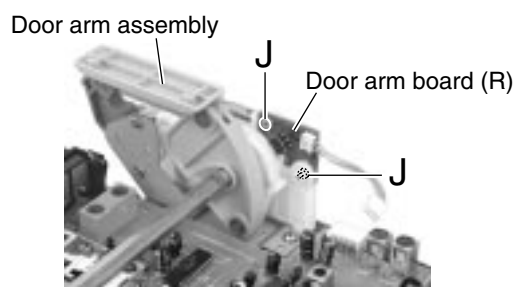


Fig.20

**■ Removing the power amplifier board
(See Fig.21 and 22)**

• Prior to performing the following procedure, remove the CD mechanism base assembly.

1. Disconnect the wires from connector CN102 and CN193 on the main board and release them from the cord stopper respectively.
2. Remove the two screws **K** and the two screws **L** attaching the heat sink and the power amplifier board.

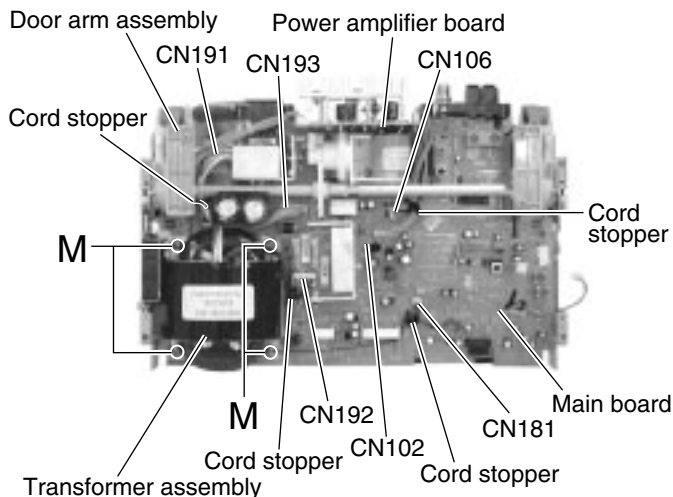


Fig.21

**■ Removing the transformer assembly
(See Fig.21)**

• Prior to performing the following procedure, remove the CD mechanism base assembly.

1. Disconnect the wires from connector CN191 and CN192 on the main board and release them from the cord stopper respectively.
2. Remove the four screws **M** attaching the transformer assembly.

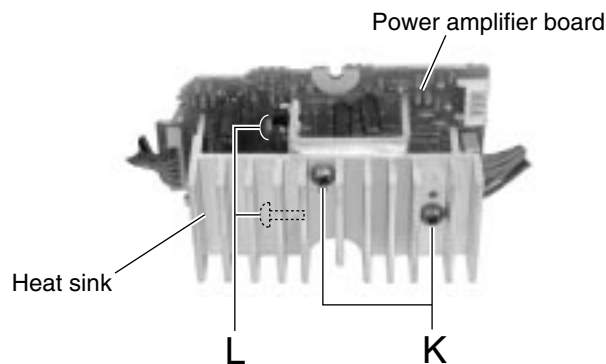


Fig.22

**■ Removing the gear motor assembly
(See Fig.23 and 24)**

• Prior to performing the following procedure, remove the CD mechanism base assembly and the door arm assembly.

1. Disconnect the wires from connector CN106 on the main board and release it from the cord stopper.
2. Remove the three screws **N** attaching the gear motor assembly. Remove the gear motor assembly with the gear motor stopper.
3. Remove the belt from the gear motor assembly.
4. Remove the two screws **O** from the gear motor assembly.

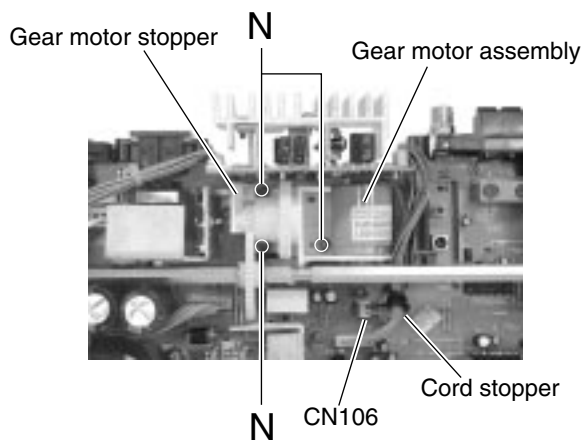


Fig.23

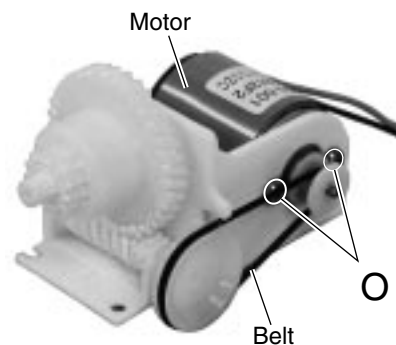


Fig.24

**■Removing the fan motor assembly
(See Fig.25 and 26)**

- Prior to performing the following procedure, remove the CD mechanism base assembly.
1. Disconnect the wires from connector CN181 on the main board.
 2. Remove the two screws **P** on the left side of the body. Move the fan motor assembly upward to remove it from the base chassis.
 3. Remove the two screws **Q** and the fan motor from the fan bracket.

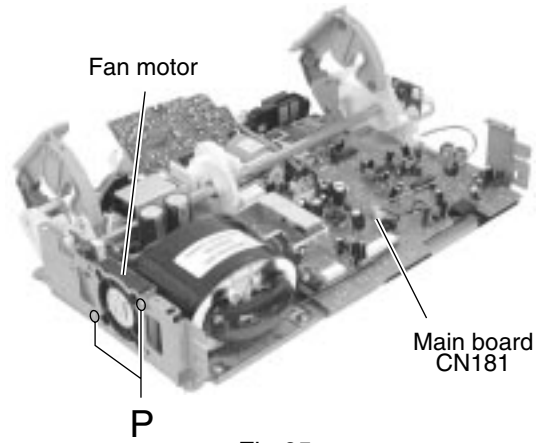


Fig.25

■Removing the main board (See Fig.27)

- Prior to performing the following procedure, remove the CD mechanism base assembly and the door arm assembly.
 - To facilitate operation process, remove the gear motor assembly before performing the following procedure.
1. Disconnect the wires from connector CN102, CN106, CN191, CN192, CN193 and CN181 on the main board.
 2. Remove the five screws **R** attaching the main board with the cord stopper.

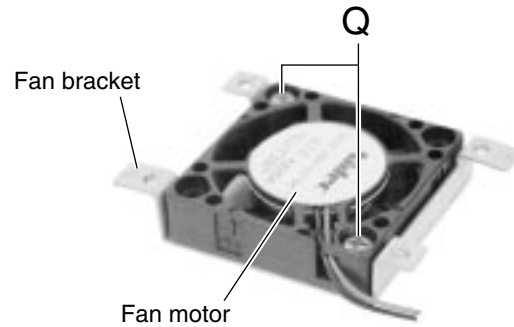


Fig.26

<Front panel assembly>

**■Removing the front panel board
(See Fig.28)**

- Prior to performing the following procedure, remove the front panel assembly.
1. Remove the seven screws **S** attaching the front panel board inside the front panel assembly.

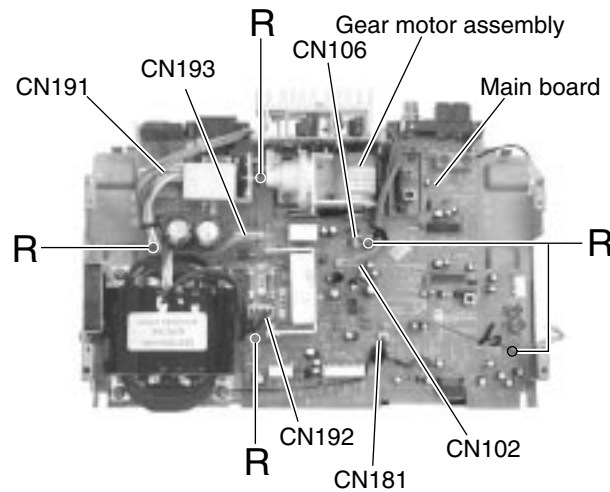


Fig.27

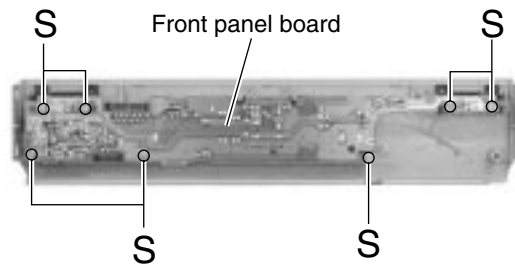


Fig.28

<CD mechanism base assembly>

- Prior to performing the following procedure, remove the CD mechanism base assembly.
- Refer to "Dismantling and assembling the CD mechanism assembly" on page 1-5 for the treatment of optical pickup.

■ Removing the speaker terminal board (See Fig.29)

1. Remove the screw **T** attaching the speaker terminal board on the underside of the CD mechanism base assembly.

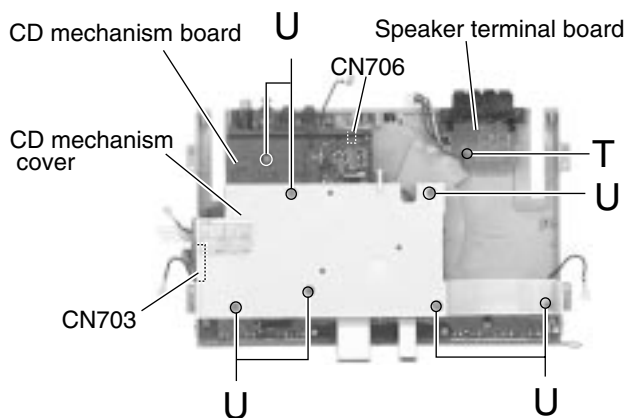


Fig.29

■ Removing the CD mechanism board / CD mechanism assembly (See Fig.29 to 34)

1. Turn over the CD mechanism base assembly and disconnect the wires from connector CN703 and CN706 on the CD mechanism board.
2. Remove the seven screws **U** attaching the CD mechanism cover and the CD mechanism board.
3. Turn back the CD mechanism assembly and detach the CD mechanism cover while pulling the CD mechanism assembly outward to release the two joint tabs marked **c**.

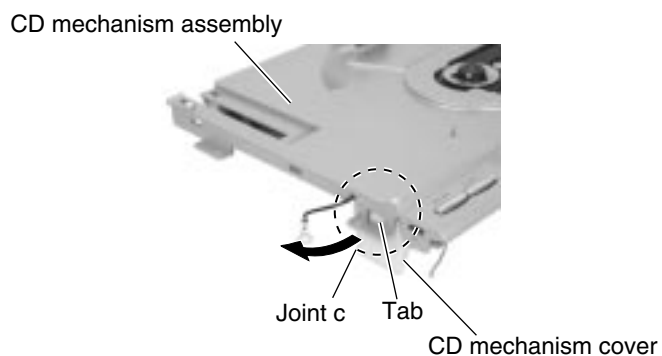


Fig.30

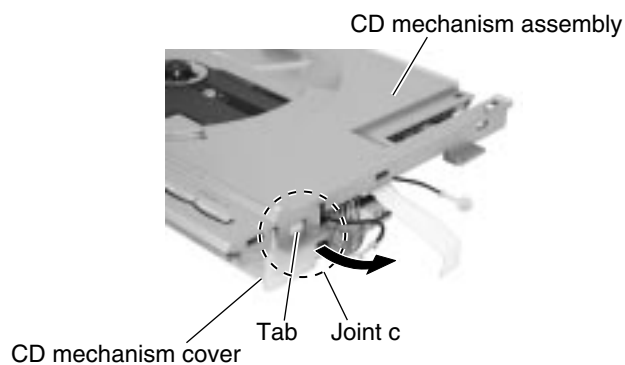


Fig.31

4. Solder the short circuit land on the sub board.
5. Disconnect the wire from connector CN605 on the main board.
Disconnect the sub board from connector CN603 on the main board while peeling off the adhesive tape on the underside of the sub board.
6. Remove the CD mechanism assembly from the three shafts of the CD mechanism cover.

ATTENTION: When reassembling, confirm that the cushion of the CD mechanism assembly is reattached to the three shafts.

7. Remove the CD mechanism board from the CD mechanism cover.

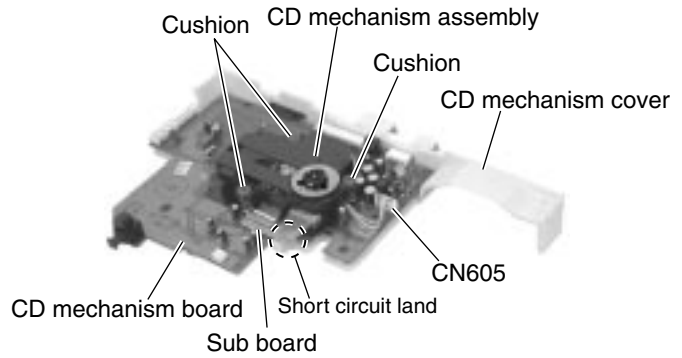


Fig.32

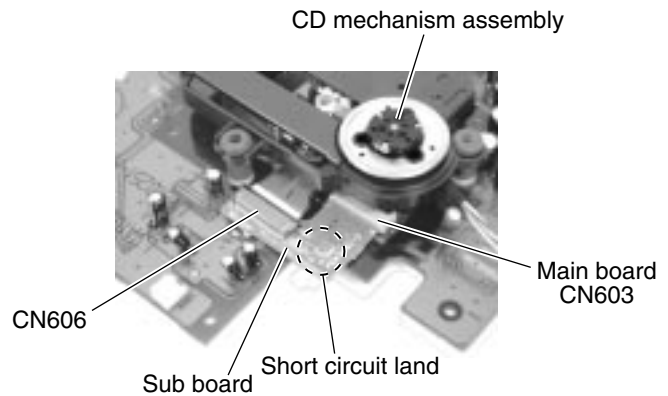


Fig.33

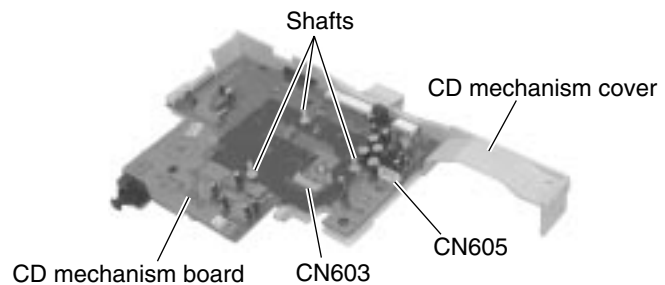


Fig.34

■ Removing the jack board (See Fig.35)

- Prior to performing following procedure, remove the CD mechanism board.
1. Disconnect the wire from connector CN502 on the jack board.
 2. Remove the two screws **V** attaching the jack board.

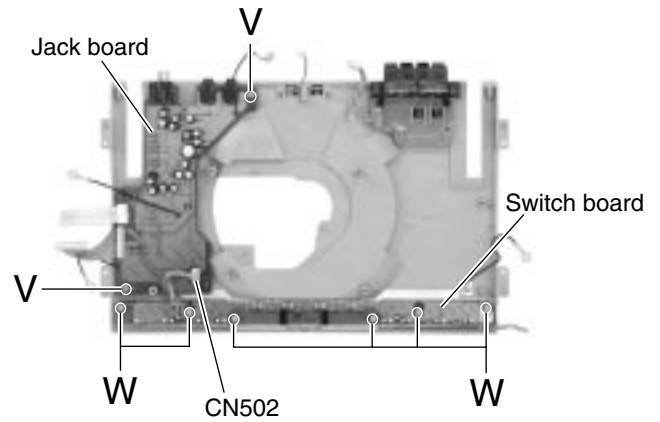


Fig.35

■ Removing the switch board (See Fig.35)

- Prior to performing following procedure, remove the CD mechanism board.
1. Disconnect the wire from connector CN502 on the jack board.
 2. Remove the six screws **W** attaching the switch board.

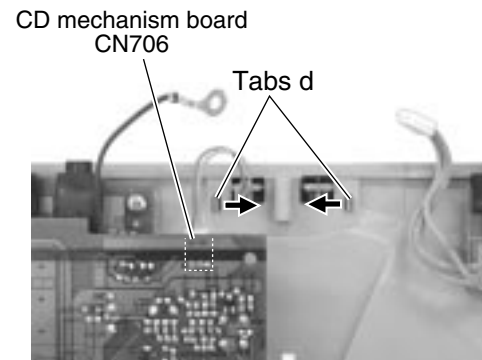


Fig.36

■ Removing the LED board (See Fig.36 and 37)

1. Disconnect the harness from connector CN706 on the CD mechanism board on the underside of the CD mechanism base assembly.
2. Push inward the two tabs **d** attaching the LED board case and release them.
3. Pull out the LED board from the LED board case.

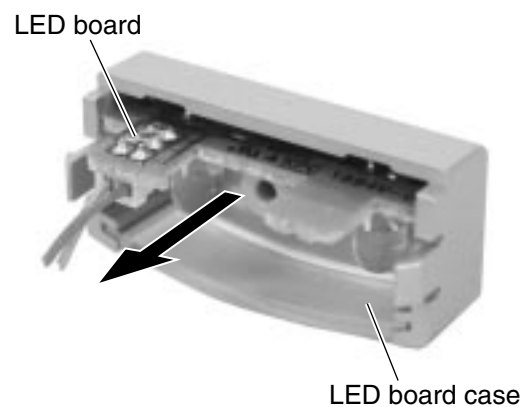


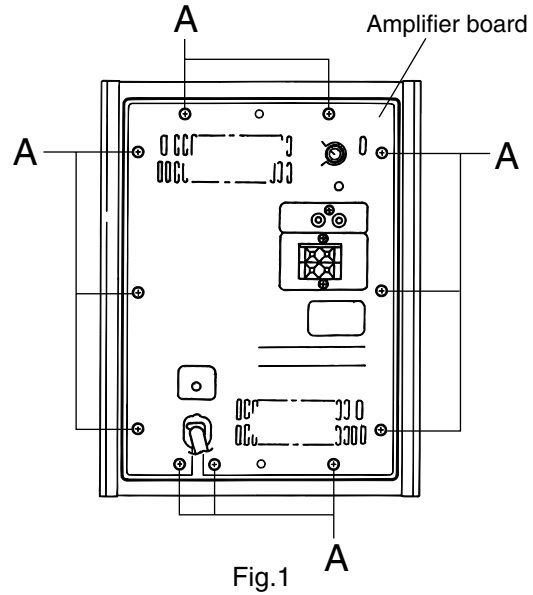
Fig.37

Power woofer section

<Main body>

■ Removing the amplifier assembly (See Fig.1)

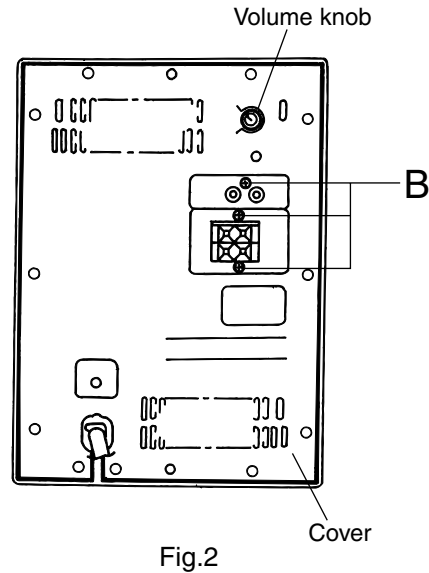
1. Remove the eleven screws **A** attaching the amplifier assembly on the back of the body.
2. Disconnect each relay harness connected to the speaker and the LED indicator board.



<Amplifier>

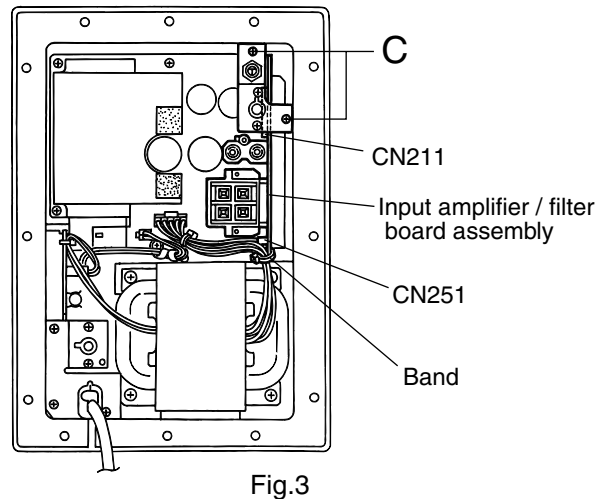
■ Removing the cover (See Fig.2)

1. Pull out the volume knob from the amplifier.
2. Remove the three screws **B** on the amplifier.



■ Removing the Input amplifier / filter board assembly (See Fig.3)

1. Cut off the band under the input amplifier / filter board assembly.
2. Disconnect the harness from connector CN251.
3. Remove the two screws **C** attaching the input amplifier / filter board assembly. Pull and disconnect connector CN211 from the body.



**■ Removing the amplifier board assembly
(See Fig.4 and 5)**

• Prior to performing procedure, remove the input amplifier / filter board assembly.

1. Disconnect the harness from connector CN291 and CN281 on the amplifier board assembly.
2. Remove the six screws **D** attaching the amplifier board assembly.
3. Remove the two screws **E** attaching the heat sink 1 and the two screws **F** attaching the heat sink 2 respectively.

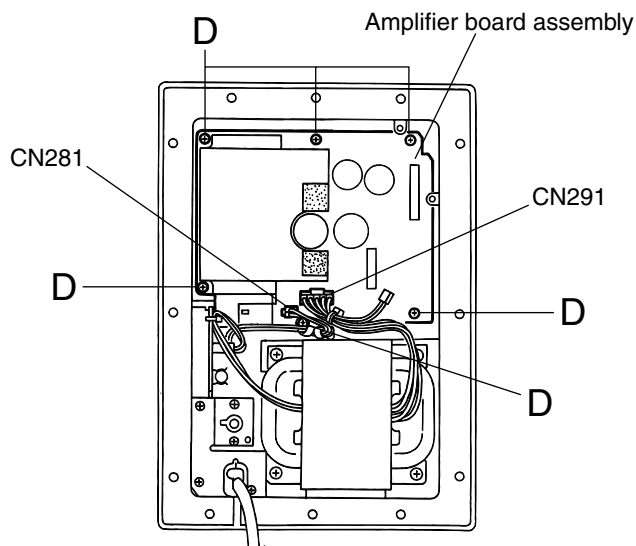


Fig.4

**■ Removing the transformer assembly
(See Fig.6)**

1. Cut off the three bands fastening the harnesses extending from the transformer assembly.
2. Disconnect the harness from connector CN291 on the amplifier board assembly and from CN299 on the power board assembly.
3. Remove the four screws **G** attaching the transformer assembly.

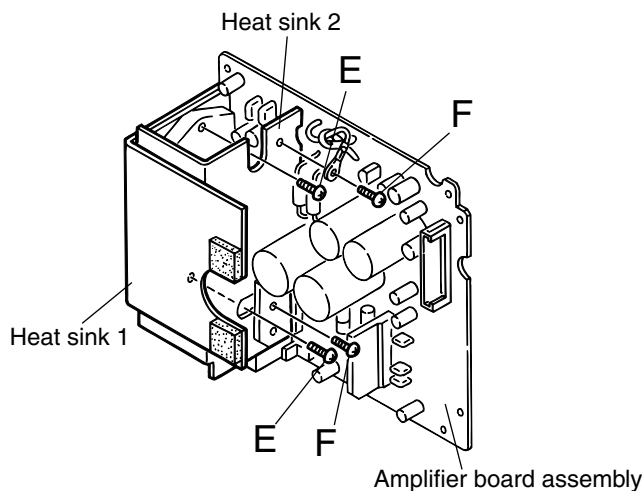


Fig.5

**■ Removing the power board assembly
(See Fig.7)**

1. Disconnect the harness from connector CN299 on the power board assembly and cut off the band.
2. Remove the three screws **H** assembly.
3. Remove the cord stopper.

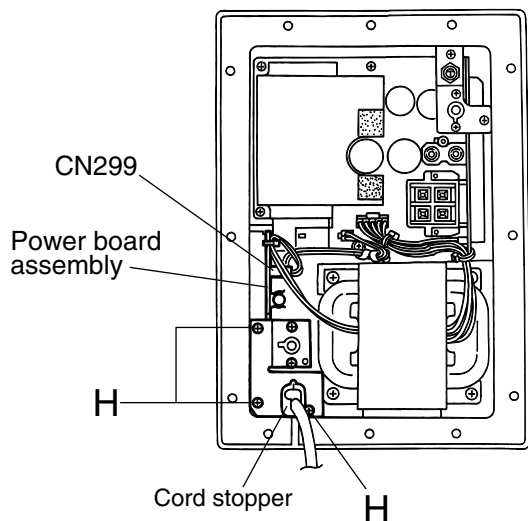


Fig.7

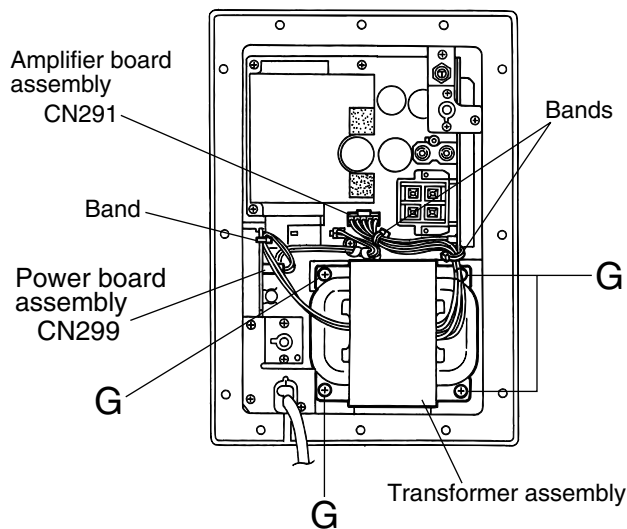


Fig.6

Maintenance of laser pickup

Replacement of laser pickup

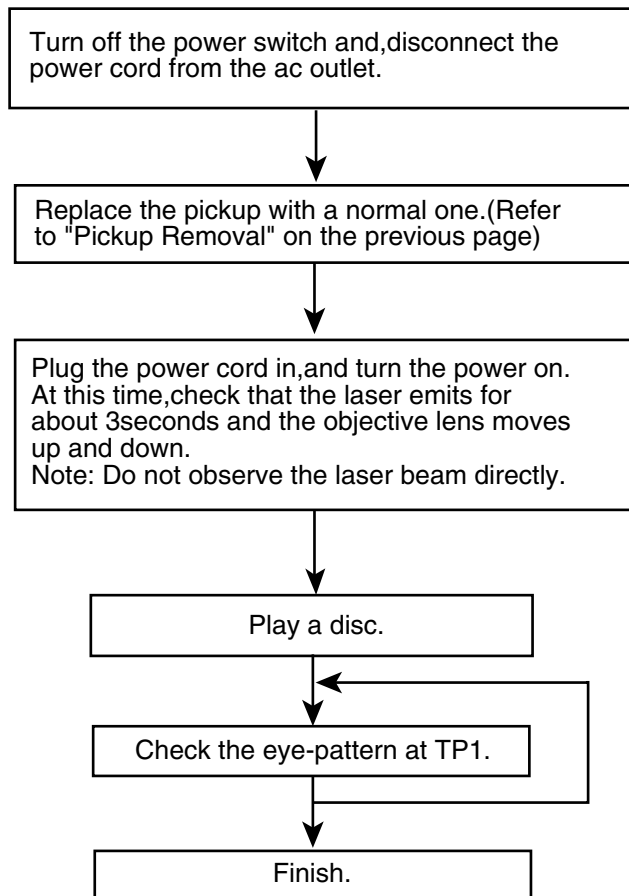
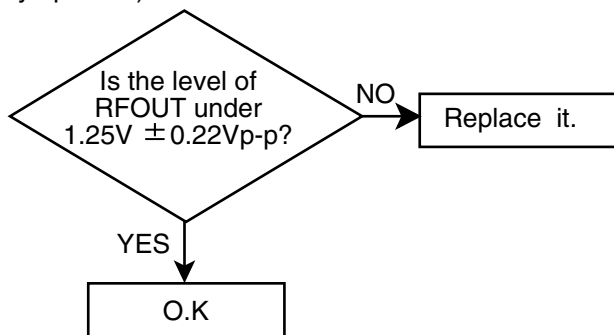
(1) Cleaning the pick up lens

Before you replace the pick up, please try to clean the lens with a alcohol soaked cotton swab.

(2) Life of the laser diode

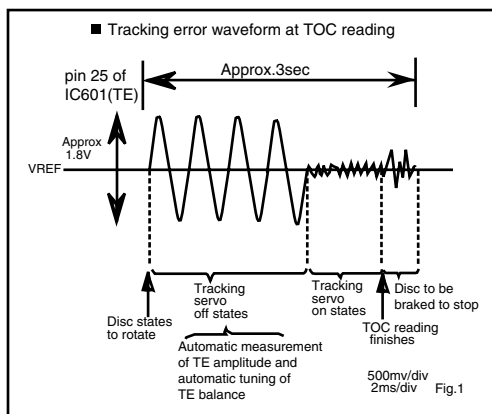
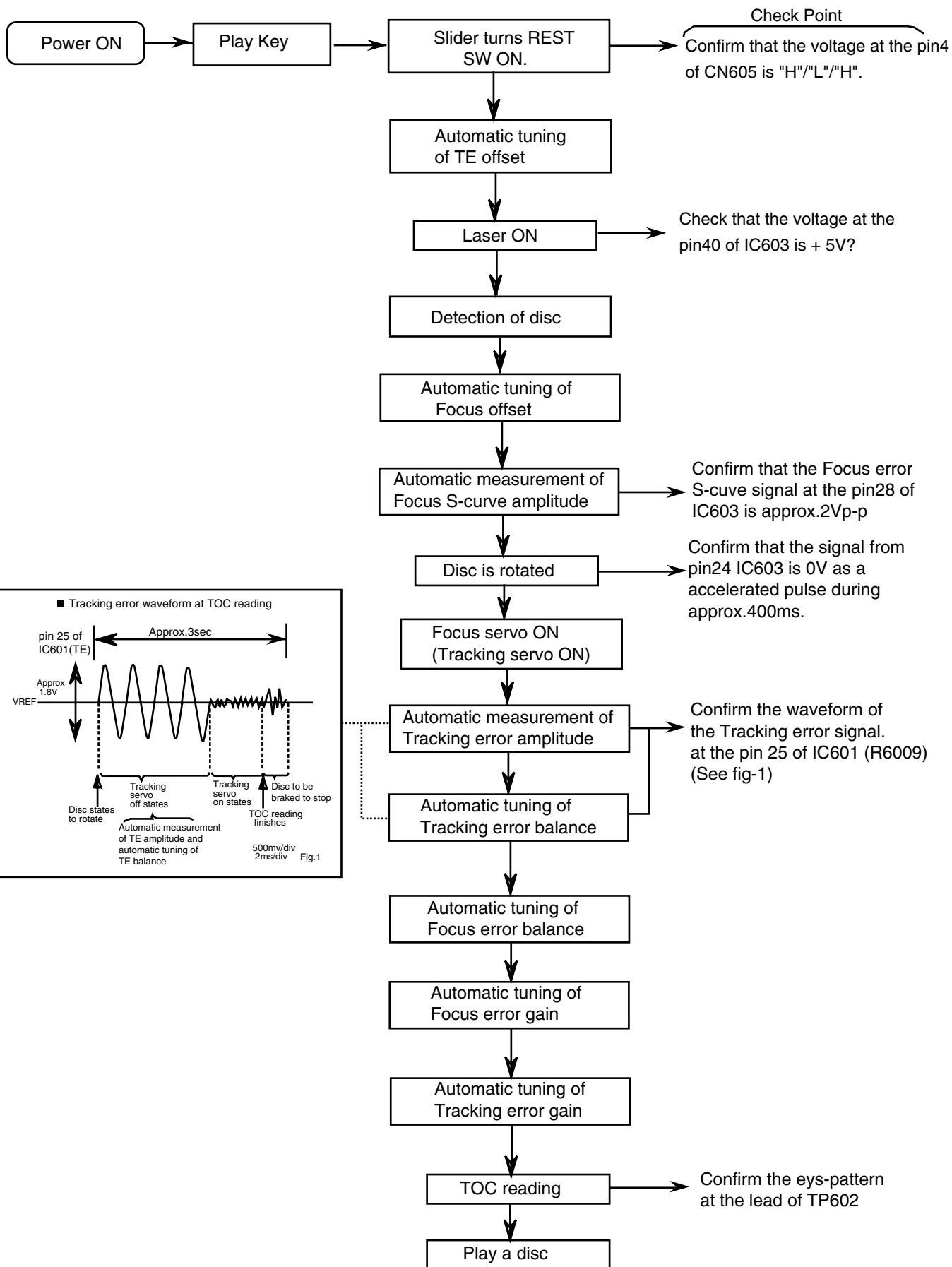
When the life of the laser diode has expired, the following symptoms will appear.

1. The level of RF output (EFM output:amplitude of eye pattern) will below.



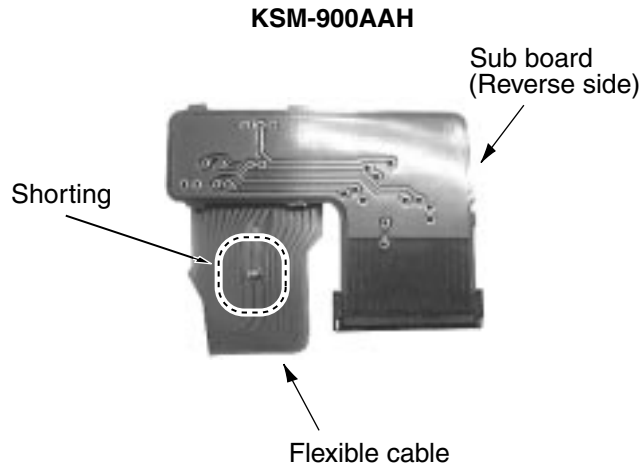
- (3) Semi-fixed resistor on the APC PC board The semi-fixed resistor on the APC printed circuit board which is attached to the pickup is used to adjust the laser power.Since this adjustment should be performed to match the characteristics of the whole optical block, do not touch the semi-fixed resistor.
 If the laser power is lower than the specified value,the laser diode is almost worn out, and the laser pickup should be replaced.
 If the semi-fixed resistor is adjusted while the pickup is functioning normally,the laser pickup may be damaged due to excessive current.

Flow of functional operation until TOC read

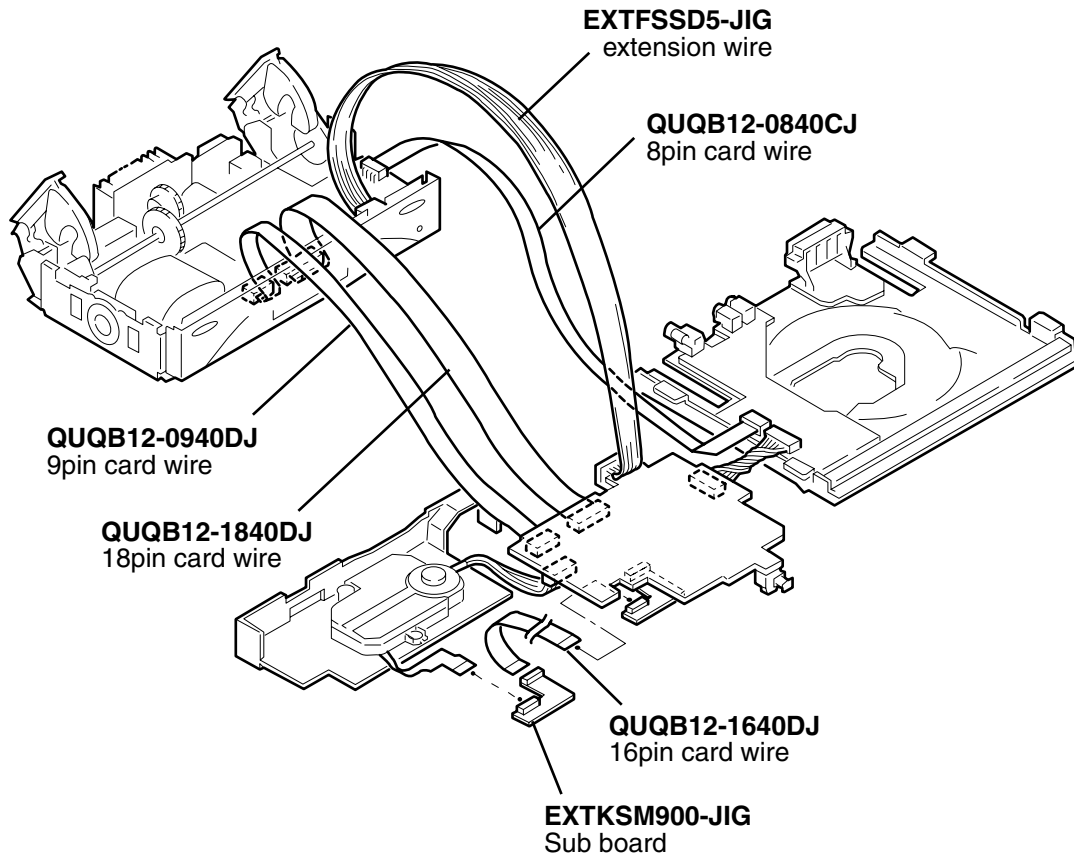


Method of connecting treatment device wire

First short-circuit the pickup circuit before removing the pickup. Then carry out the replacement.
Refer to "Disassembling and assembling the traverse unit".



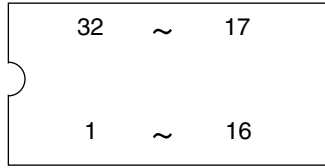
When the KSM-900AAH mechanism is used, the expansion cable is used as follows.



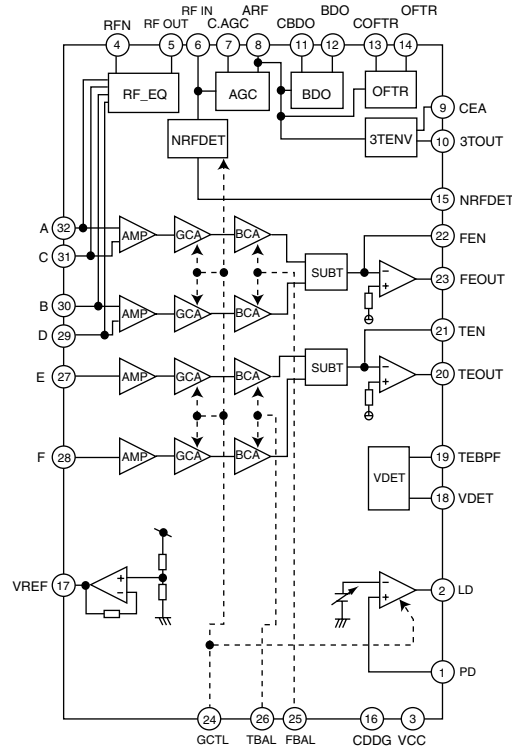
Description of major ICs

■ AN22000A (IC601) : RF & Servo amp

1. Pin layout



2. Block

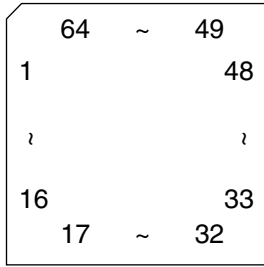


3. Function

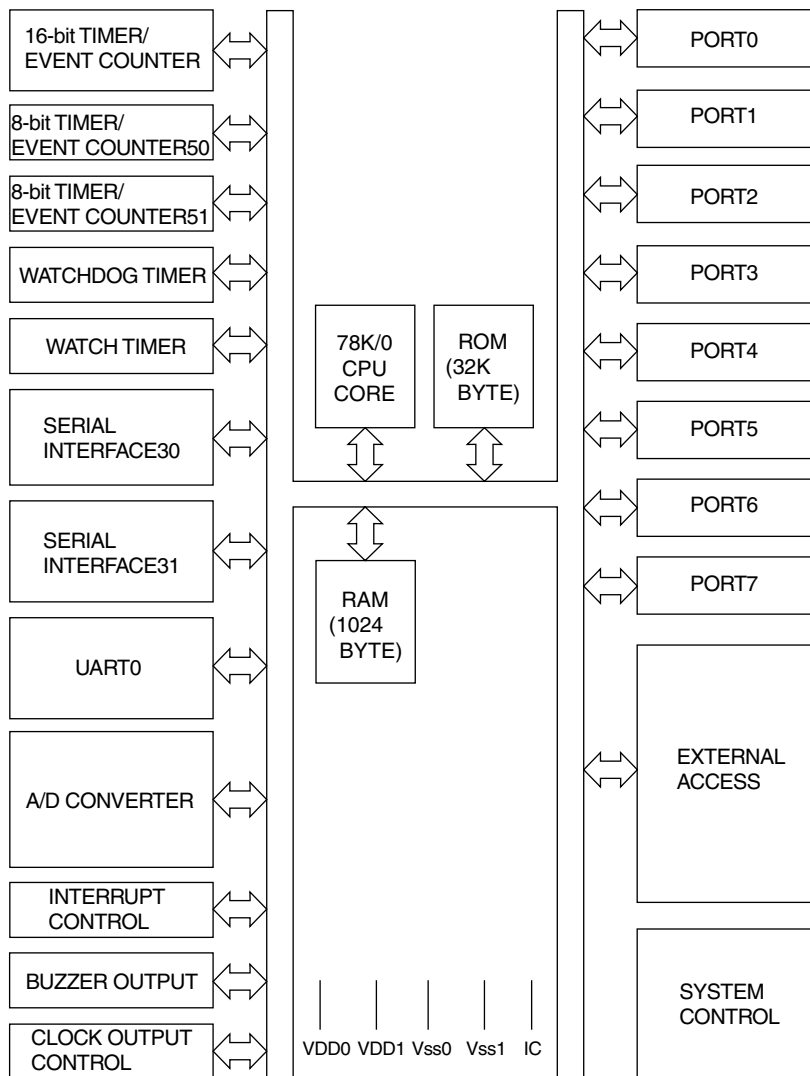
Pin No.	Symbol	Function	Pin No.	Symbol	Function
1	PD	APC Amp. Input terminal	16	CDDG	Earth terminal
2	LD	APC Amp. Output terminal	17	VREF	VREF output terminal
3	VCC	Power supply terminal	18	VDET	VDET output terminal
4	RFN	RF addition Amp. Reversing input terminal	19	TEBPF	VDET input terminal
5	RF OUT	RF addition Amp. Output terminal	20	TEOUT	TE Amp. output terminal
6	RF IN	AGC input terminal	21	TEN	TE Amp. reversing input terminal
7	C.AGC	Terminal of connection of capacity of AGC loop filter.	22	FEN	FE Amp. reversing input terminal
8	ARF	AGC output terminal	23	FEOUT	FE Amp. output terminal
9	CEA	Capacity connection terminal for HPF-Amp.	24	GCTL	Terminal GCTL & APC
10	3TOUT	3TENV output terminal	25	FBAL	FBAL control terminal
11	CBDO	Capacity connection terminal for RF shade side envelope detection	26	TBAL	TBAL control terminal
12	BDO	BDO output terminal	27	E	Tracking signal input terminal 1
13	COFTR	Capacity connection terminal for RF discernment side envelope detection	28	F	Tracking signal input terminal 2
14	OFTR	OFTR output terminal	29	D	Focus signal input terminal 4
15	NRFDET	NRFDET output terminal	30	B	Focus signal input terminal 2
			31	C	Focus signal input terminal 3
			32	A	Focus signal input terminal 1

■ UPD780024AGKB19 (IC701) : CPU

1. Pin layout



2. Block diagram



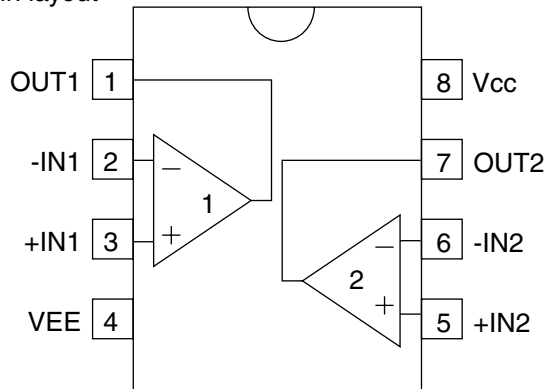
3. Pin function

UPD780024AGKB19

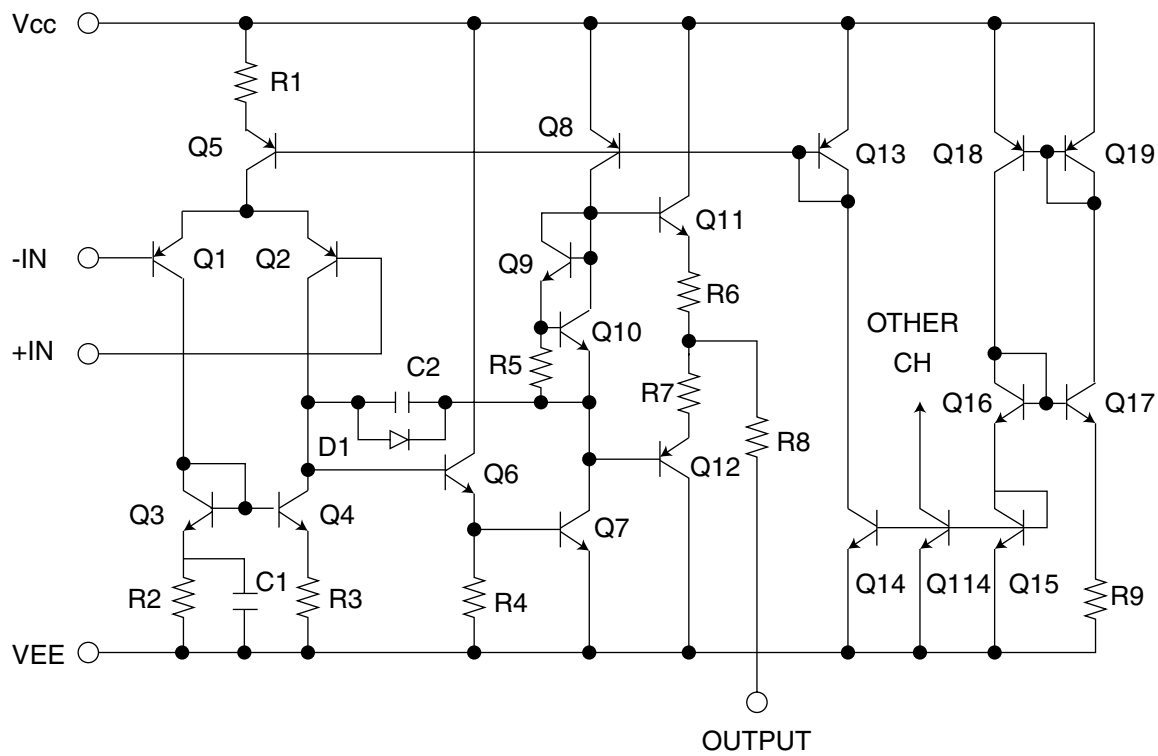
Pin No.	Symbol	I/O	Function
1	MT0	O	CD door motor control signal 0 output
2	MT1	O	CD door motor control signal 1 output
3	MTS	O	Motor speed control output (L:Normal, H:Slow)
4	BLCTL	O	Back light power supply control output
5	AHB	O	AHB ON/OFF control signal output (L:ON, H:OFF)
6	SMUTE	O	System mute control signal output
7	TUST	O	Tuner control strove output
8	CDLED	O	CD LED control signal output (L:OFF, H:ON)
9	VSS0	-	Ground at port section
10	VDD0	-	Power supply at port section
11	MPX	I	Stereo indicator control signal input (L:Stereo)
12	RSDSI	I	RDS data input
13	DRMUTE	O	Driver mute output
14	SCD	I	Voltage detection for safety of CD
15	TUDATA(I)	I	Tuner control data input
16	TUDATA(O)	O	Tuner control data output
17	TUCK	O	Tuner control clock output
18	SUBQ	I	CD control Q code input
19	XRST	O	CD control reset signal output
20	SQCK	O	CD control Q code clock signal output
21	MLD	O	CD control command load signal output
22	MDATA	O	CD control command data signal output
23	MCLK	O	CD control command clock signal output
24	VDD1	-	Power supply without port section
25	AVSS	-	Ground of A/D converter
26	STAT	I	CD control status signal input
27	REST	I	CD rest switch detection signal input
28	KEY1	I	Main body top section tact switch detection signal input
29	KEY2	I	Main body top section tact switch detection signal input
30	KEY3	I	Main body front section tact switch detection signal input
31	SAFETY	I	Voltage detection for safety
32	LDCK	I	CD door motor lock detection signal input
33	VERSION	I	Version detection
34	AVREF	I	Reference voltage input for A/D converter
35	AVDD	-	Analog power supply for A/D converter
36	RESET	I	System reset signal input
37	XT2	-	Sub clock
38	XT1	I	Sub clock signal input 32.768kHz
39	IC	I	Connect to VSS0 or VSS1
40	X2	-	Main clock
41	X1	I	Main clock signal input 4.19MHz
42	VSS1	-	Ground without port section
43	REM	I	Remote controller signal input
44	RDCK	I	RDS clock signal input
45	XKILL	O	Sub clock OSC control signal output
46	BEAT	O	Main clock shift control signal output
47	BUP	I	Back up detection signal input
48	+BCTL	O	Power supply control at back up operating
49	VDATA	O	BD3861FS (VOL & FUNC IC) control data signal output
50	VCLK	O	BD3861FS (VOL & FUNC IC) control clock signal output
51	DOOR1	I	Cd door position detection switch input
52	DOOR2	I	CD door position detection switch input
53	DOOR3	I	CD door position detection switch input
54	LOMUTE	O	LINE OUT muting control signal output
55	RS	O	LCD driver control resistor select signal output
56	E	O	LCD driver control enable signal output
57	D84	O	LCD driver control data bus signal output
58	D85	O	LCD driver control data bus signal output
59	D86	O	LCD driver control data bus signal output
60	D87	O	LCD driver control data bus signal output
61	DIMMER	O	Back light DIMMER control signal output
62	POUT	O	Power supply control signal output for amp section
63	FTU	O	Power supply control signal output for TUNER function
64	FCD	O	Power supply control signal output for CD function

■ **BA15218F-XE (IC102) : Dual operation amplifier**

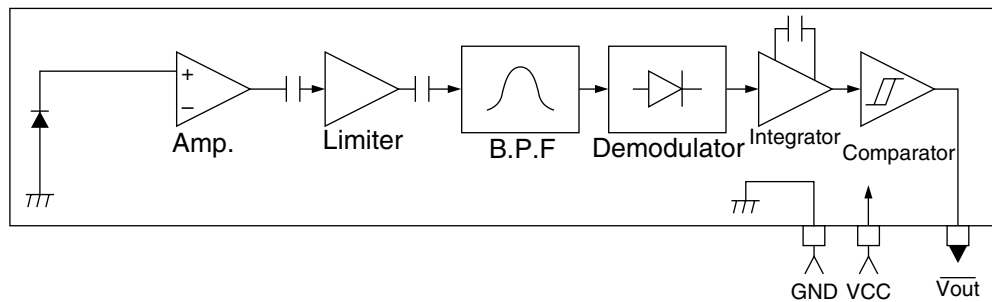
1. Pin layout



2. Block diagram

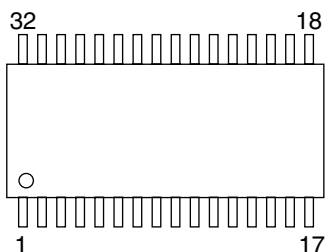


■ **GP1U271X (IC801) : Receiver for remote controller**

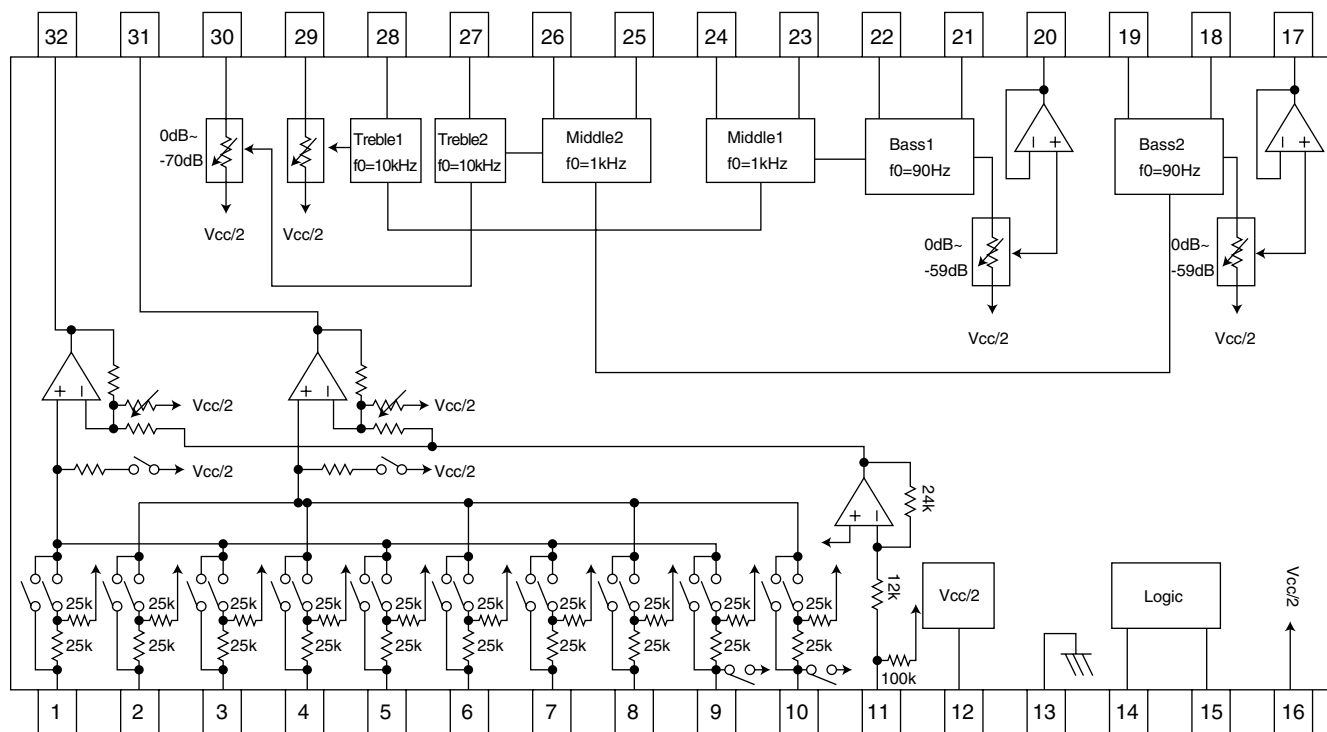


BD3861FS-X (IC501) : Audio sound control

1. Pin layout



2. Block diagram

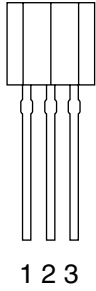


3. Pin function

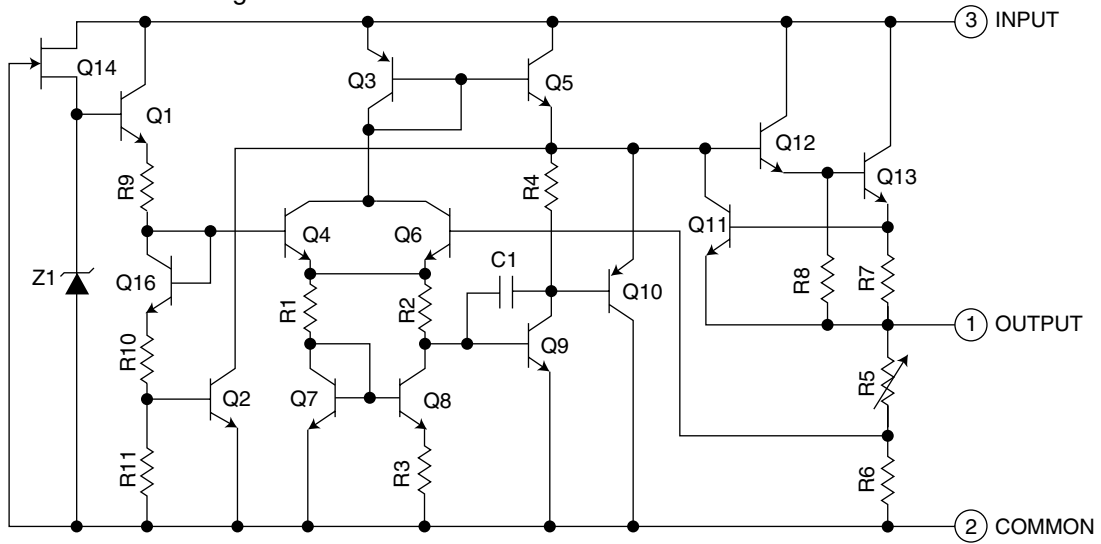
Pin No.	Symbol	Function	Symbol	Function	
1	A1	CH1 input pin A	17	OUT2	CH2 output pin
2	A2	CH2 input pin A	18	BASS21	CH2 bass filter setting pin
3	B1	CH1 input pin B	19	BASS22	CH2 bass filter setting pin
4	B2	CH2 input pin B	20	OUT1	CH1 output pin
5	C1	CH1 input pin C	21	BASS11	CH1 bass filter setting pin
6	C2	CH2 input pin C	22	BASS12	CH1 bass filter setting pin
7	D1	CH1 input pin D	23	MID11	CH1 middle filter setting pin
8	D2	CH2 input pin D	24	MID12	CH1 middle filter setting pin
9	E1	CH1 input pin E	25	MID21	CH2 middle filter setting pin
10	E2	CH2 input pin E	26	MID22	CH2 middle filter setting pin
11	MIC	Microphone input pin	27	TRE2	CH2 treble filter setting pin
12	FIL	Filter pin	28	TRE1	CH1 treble filter setting pin
13	GND	Ground pin	29	VOL1	CH1 input volume input pin
14	DATA	Serial data latch receiving pin	30	VOL2	CH2 input volume input pin
15	CLK	Serial clock receiving pin	31	GOUT2	CH2 input gain output pin
16	Vcc	Power supply pin	32	GOUT1	CH1 input gain output pin

■ KIA78S06P-T (IC702) : Regulator

1. Pin layout

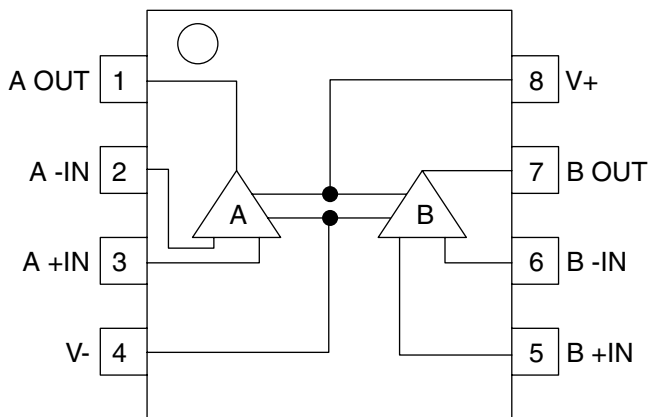


2. Block diagram



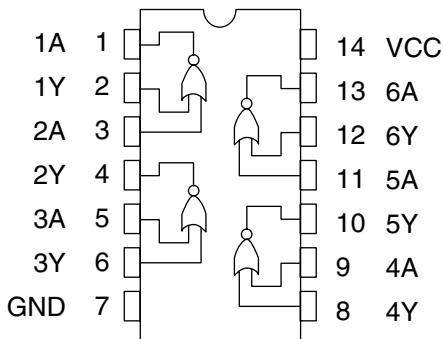
■ NJM4580D-D (IC101,IC211,IC213) : Dual ope amp.

1. Pin layout & Block diagram



■ TC74HCU04AP (IC251) : 2ch NOR gate

1. Pin layout & Block diagram

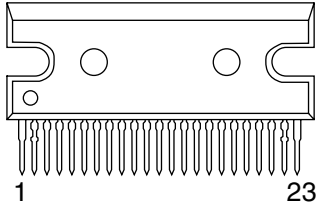


2. True table

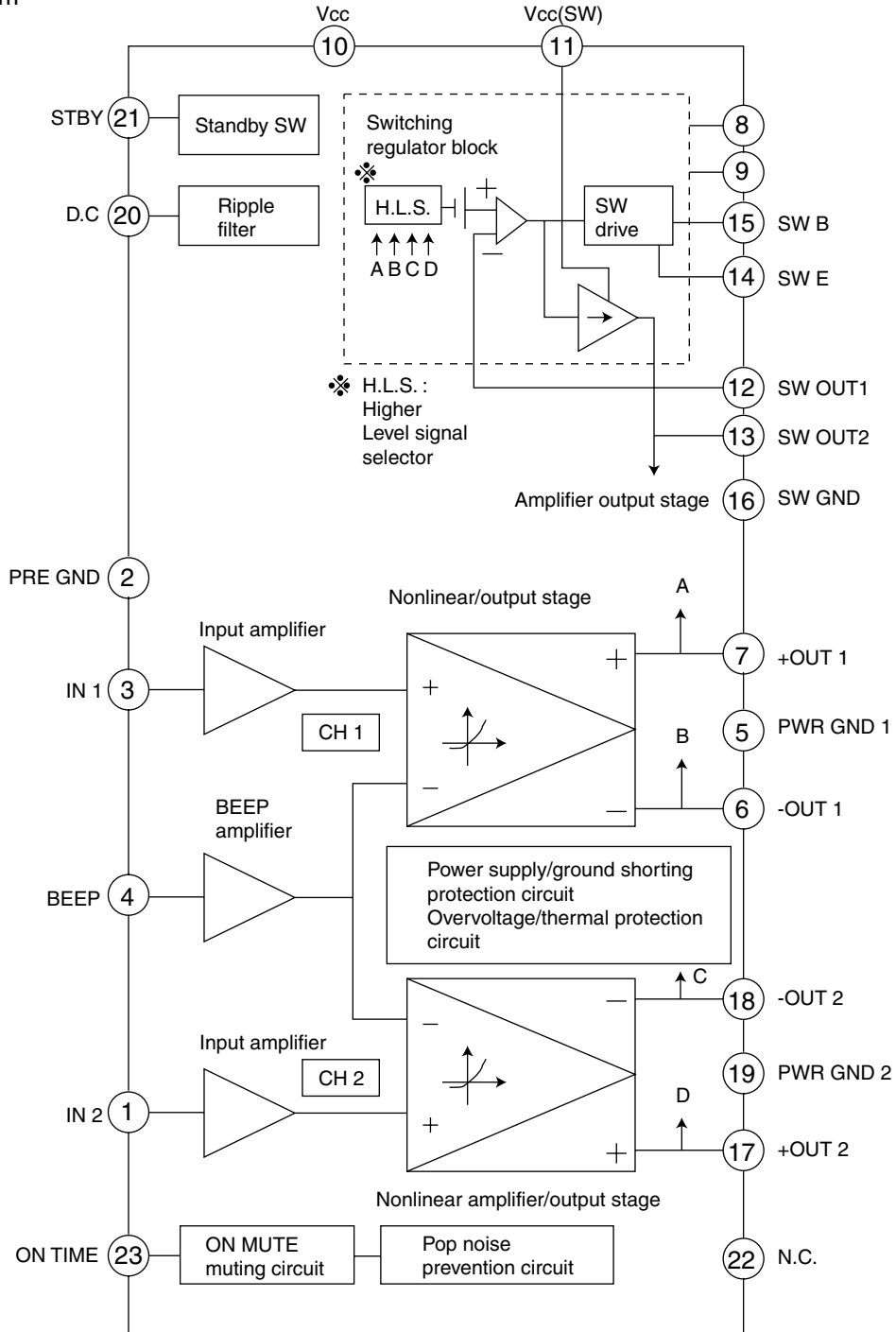
A	Y
L	H
H	L

■ LA4905 (IC301) : 2ch BTL power IC

1. Pinlayput

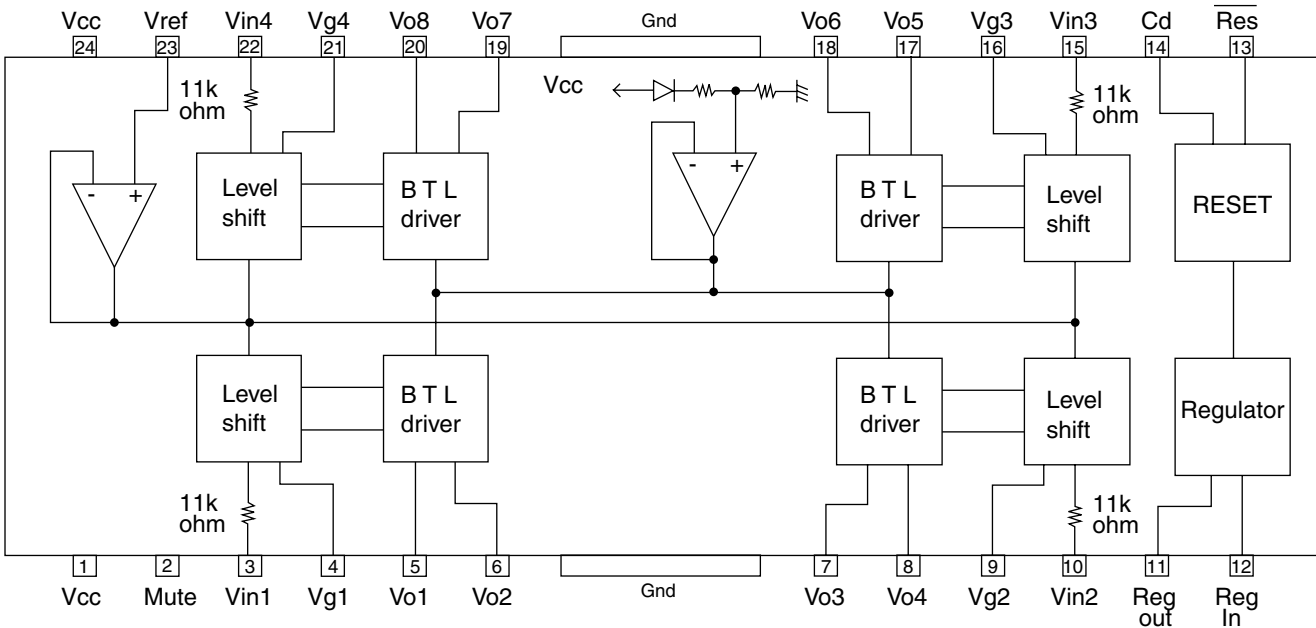


2. Block diagram



■ LA6541-X (IC601) : Servo driver

1. Pin layout & Block diagram



2. Pin function

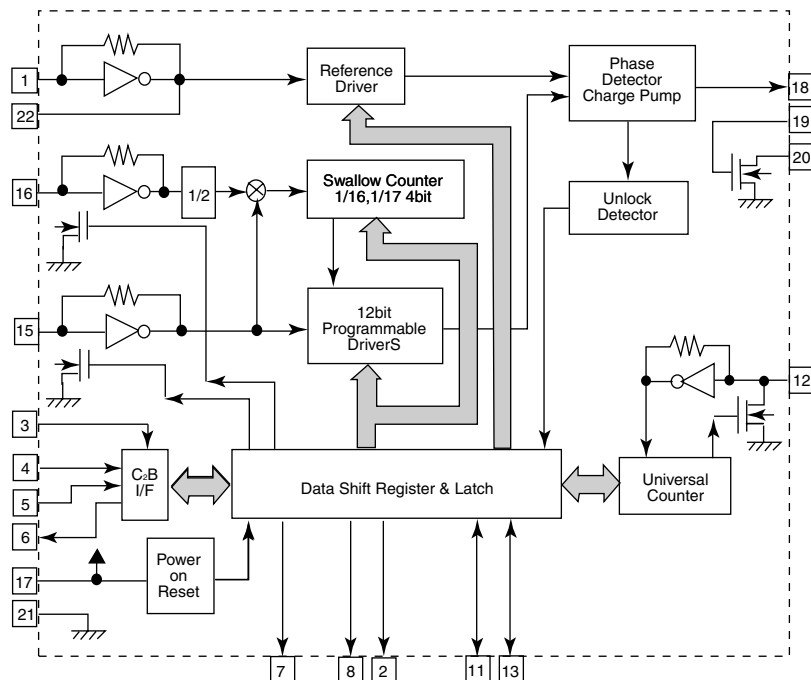
Pin No.	Symbol	Function
1	Vcc	Power supply (Shorted to pin 24)
2	Mute	All BTL amplifier outputs ON/OFF
3	Vin1	BTL AMP 1 input pin
4	Vg1	BTL AMP 1 input pin (For gain adjustment)
5	Vo1	BTL AMP 1 input pin (Non inverting side)
6	Vo2	BTL AMP 1 input pin (Inverting side)
7	Vo3	BTL AMP 2 input pin (Inverting side)
8	Vo4	BTL AMP 2 input pin (Non inverting side)
9	Vg2	BTL AMP 2 input pin (For gain adjustment)
10	Vin2	BTL AMP 2 input pin
11	Reg Out	External transistor collector (PNP) connection. 5V power supply output
12	Reg In	External transistor (PNP) base connection
13	Res	Reset output
14	Cd	Reset output delay time setting (Capacitor connected externally)
15	Vin3	BTL AMP 3 input pin
16	Vg3	BTL AMP 3 input pin (For gain adjustment)
17	Vo5	BTL AMP 3 output pin (Non inverting side)
18	Vo6	BTL AMP 3 output pin (Inverting side)
19	Vo7	BTL AMP 4 output pin (Inverting side)
20	Vo8	BTL AMP 4 output pin (Non inverting side)
21	Vg4	BTL AMP 4 output pin (For gain adjustment)
22	Vin4	BTL AMP 4 output pin
23	Vref	Level shift circuit's reference voltage application
24	Vcc	Power supply (Shorted to pin 1)

■ LC72136N (IC2) : PLL frequency synthesizer

1. Pin layout

XT	1	22	XT
FM/AM	2	21	GND
CE	3	20	LPFOUT
DI	4	19	LPFIN
CLOCK	5	18	PD
DO	6	17	VCC
FM/ST/VCO	7	16	FMIN
AM/FM	8	15	AMIN
	9	14	
	10	13	IFCONT
SDIN	11	12	IFIN

2. Block diagram

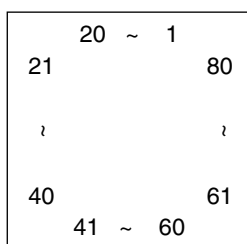


3. Pin function

Pin No.	Symbol	I/O	Function	Pin No.	Symbol	I/O	Function
1	XT	I	X'tal oscillator connect (75kHz)	12	IFIN	I	IF counter signal input
2	FM/AM	O	LOW:FM mode	13	IFCONT	O	IF signal output
3	CE	I	When data output/input for 4pin(input) and 6pin(output): H	14		-	Not use
4	DI	I	Input for receive the serial data from controller	15	AMIN	I	AM Local OSC signal output
5	CLOCK	I	Sync signal input use	16	FMIN	I	FM Local OSC signal input
6	DO	O	Data output for Controller Output port	17	VCC	-	Power suply(VDD=4.5-5.5V) When power ON:Reset circuit move
7	FM/ST/VCO	O	"Low": MW mode	18	PD	O	PLL charge pump output(H: Local OSC frequency Height than Reference frequency. L: Low Agreement: Height impedance)
8	AM/FM	O	Open state after the power on reset	19	LPFIN	I	Input for active lowpassfilter of PLL
9	LW	I/O	Input/output port	20	LPFOUT	O	Output for active lowpassfilter of PLL
10	MW	I/O	Input/output port	21	GND	-	Connected to GND
11	SDIN	I/O	Data input/output	22	XT	I	X'tal oscillator(75KHz)

■ MN662748RPMFA (IC603) : Digital servo & Digital signal processor

1. Pin layout

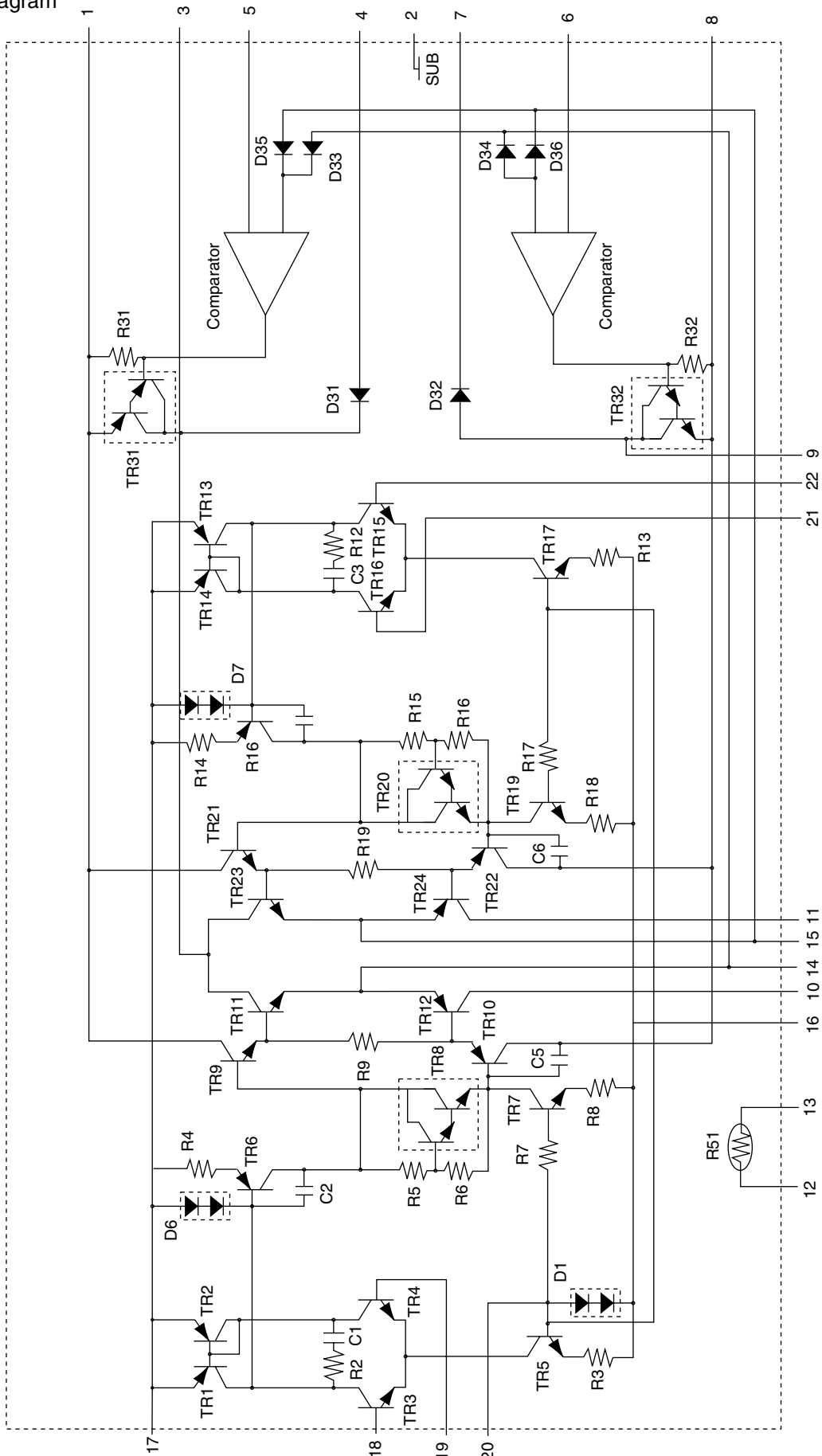


2. Pin functions

Pin No.	Symbol	I/O	Function	Pin No.	Symbol	I/O	Function
1	BCLK	O	Not used	41	TES	O	Tracking error shunt signal output (H:shunt)
2	LRCK	O	Not used	42	PLAY	—	Not used
3	SRDATA	O	Not used	43	WVEL	—	Not used
4	DVDD1	—	Power supply (Digital)	44	ARF	I	RF signal input
5	DVSS1	—	Connected to GND	45	IREF	I	Reference current input pin
6	TX	O	Digital audio interface output	46	DRF	I	Bias pin for DSL
7	MCLK	I	CPU command clock signal input	47	DSLFL	I/O	Loop filter pin for DSL
8	MDATA	I	CPU command data input	48	PLLFL	I/O	Loop filter pin for PLL
9	MLD	I	CPU command load signal input	49	VCOF	—	Not used
10	SENSE	O	Sense signal output	50	AVDD2	—	Power supply (Analog)
11	FLOCK	O	Focus lock signal output Active :Low	51	AVSS2	—	Connected to GND (Analog)
12	TLOCK	O	Tracking lock signal output Active :Low	52	EFM	—	Not used
13	BLKCK	O	sub-code/block/clock signal output	53	PCK	—	Not used
14	SQCK	I	Outside clock for sub-code Q resister input	54	PDO	—	Not used
15	SUBQ	O	Sub-code Q -code output	55	SUBC	—	Not used
16	DMUTE	—	Connected to GND	56	SBCK	—	Not used
17	STATUS	O	Status signal	57	VSS	—	Connected to GND (for X'tal oscillation circuit)
18	RST	I	Reset signal input (L:Reset)	58	X1	I	Input of 16.9344MHz X'tal oscillation circuit
19	SMCK	—	Not used	59	X2	O	Output of X'tal oscillation circuit
20	PMCK	—	Not used	60	VDD	—	Power supply (for X'tal oscillation circuit)
21	TRV	O	Traverse enforced output	61	BYTCK	—	Not used
22	TVD	O	Traverse drive output	62	CLDCK	—	Not used
23	PC	—	Not used	63	FLAG	—	Not used
24	ECM	O	Spindle motor drive signal	64	IPPLAG	—	Not used
25	ECS	O	Spindle motor drive signal	65	FLAG	—	Not used
26	KICK	O	Kick pulse output	66	CLVS	—	Not used
27	TRD	O	Tracking drive output	67	CRC	—	Not used
28	FOD	O	Focus drive output	68	DEMPH	—	Not used
29	VREF	I	Reference voltage input pin for D/A output block (TVD,FOD,FBA,TBAL)	69	RESY	—	Not used
30	FBAL	O	Focus Balance adjust signal output	70	IOSEL	—	pull up
31	TBAL	O	Tracking Balance adjust signal output	71	TEST	—	pull up
32	FE	I	Focus error signal input (Analog input)	72	AVDD1	—	Power supply (Digital)
33	TE	I	Tracking error signal input (Analog input)	73	OUT L	O	Lch audio output
34	RF ENV	I	RF envelope signal input (Analog input)	74	AVSS1	—	Connected to GND
35	VDET	I	Vibration detect signal input (H:detect)	75	OUT R	O	Rch audio output
36	OFT	I	Off track signal input (H:off track)	76	RSEL	—	pull up
37	TRCRS	I	Track cross signal input	77	CSEL	—	Connected to GND
38	RFDET	I	RF detect signal input (L:detect)	78	PSEL	—	Connected to GND
39	BDO	I	BDO input pin (L:detect)	79	MSEL	—	Connected to GND
40	LDON	O	Laser ON signal output (H:on)	80	SSEL	—	Pull up

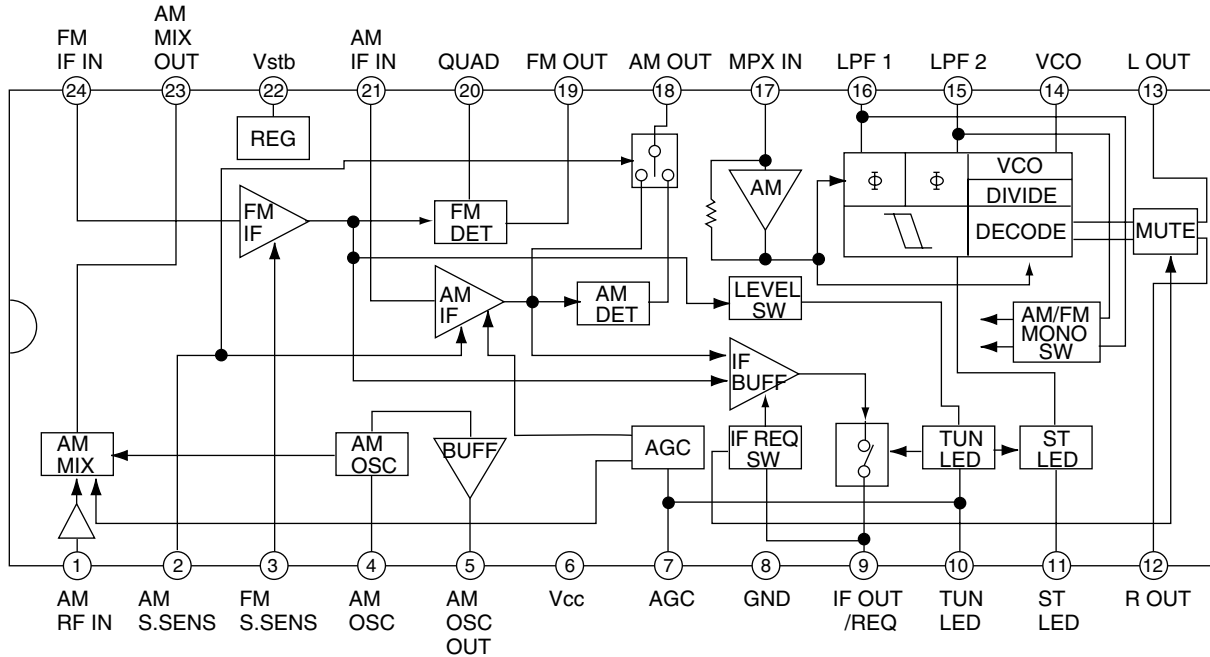
■ STK411-210E (IC221) : Power amplifier

1. Block diagram



■ TA2057N (IC1) : FM / AM IF amp & Detector

1. Block diagrams

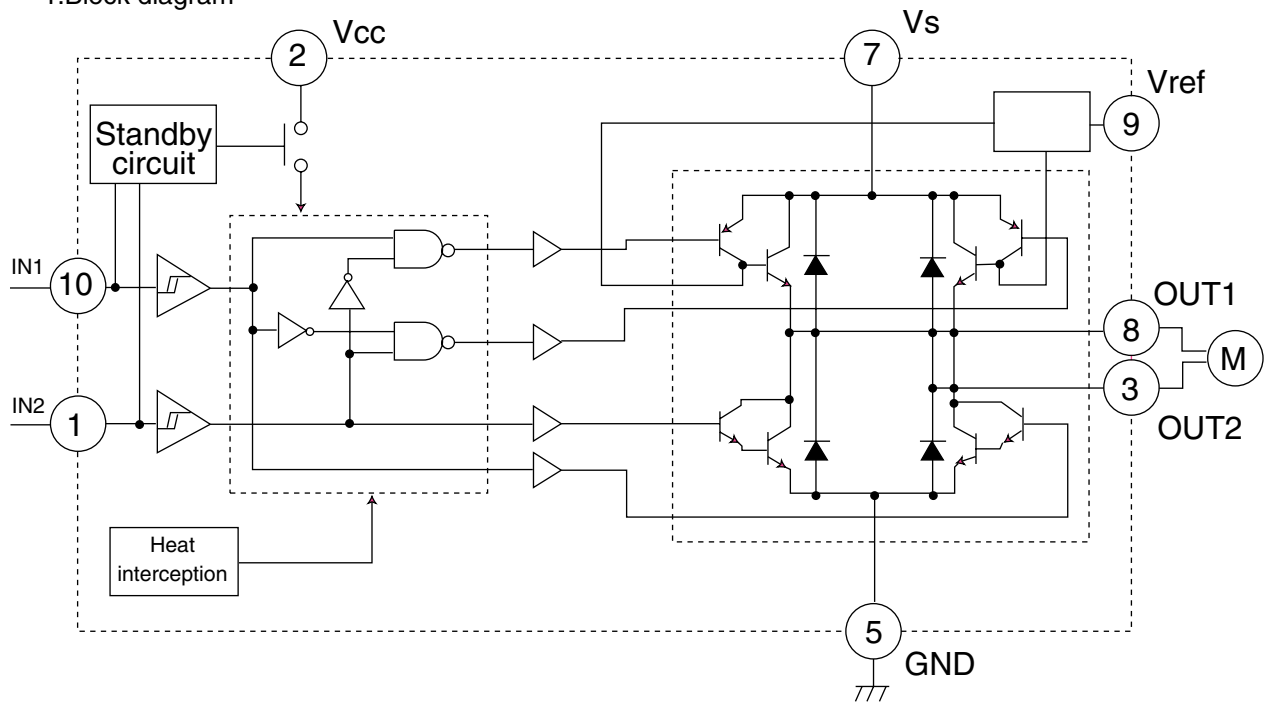


2. Pin function

Pin No.	I/O	Symbol	Function	Pin No.	I/O	Symbol	Function
1	I	AM RF	AMRF signal input	13	O	Lch OUT	Output Lch
2		AM S.SENS		14	O	VCO	Voltage controlled terminal
3		FM S.SENS		15	O	LPF2	When voltage of terminal is MONO at "H" and ST at "L"
4	-	AM OSC	AM local oscillation circuit	16	O	LPF1	When voltage of terminal is AM at "H" and FM at "L"
5	O	AM OSC OUT	AM local oscillation signal output	17	I	MPX IN	Multi plex signal input
6	-	VCC	Power supply	18	O	AM OUT	AM detection signal output
7	I	AGC	AGC voltage input terminal	19	O	FM OUT	FM detection signal output
8	-	GND	Connect to GND	20	I	FM QUAD	Bypass to FMIF
9	O	IF OUT	IF REQ signal output to IC2	21	I	AM IF IN	Input of AMIF signal
10	O	TU IND	Indicator drive output when tuning	22	-	Vst	Fixed voltage output terminal
11	O	ST IND	Stereo indicator output "H"mono . "L"stereo	23	O	AM MIX OUT	Output terminal for AM mixer
12	O	Rch OUT	Output Rch	24	I	FM IF IN	Input of FMIF signal

■ TA8409F-W (IC108) : Motor driver

1. Block diagram



2. Pin function

Input		Output		Mode
IN1	IN2	OUT1	OUT2	MOTOR
0	0	∞	∞	STOP
1	0	H	L	CW/CCW
0	1	L	H	CCW/CW
1	1	L	L	BRAKE

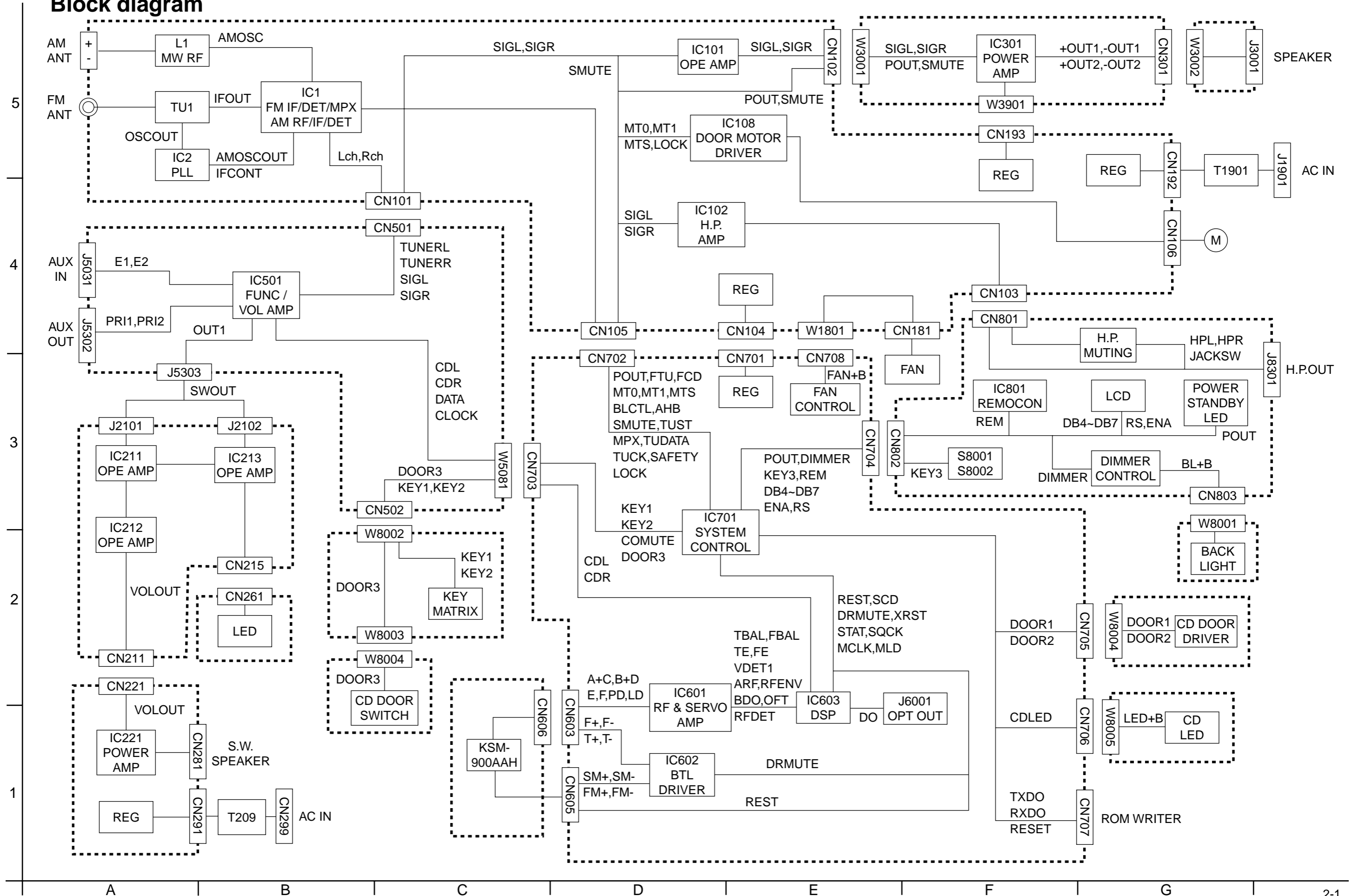


VICTOR COMPANY OF JAPAN, LIMITED

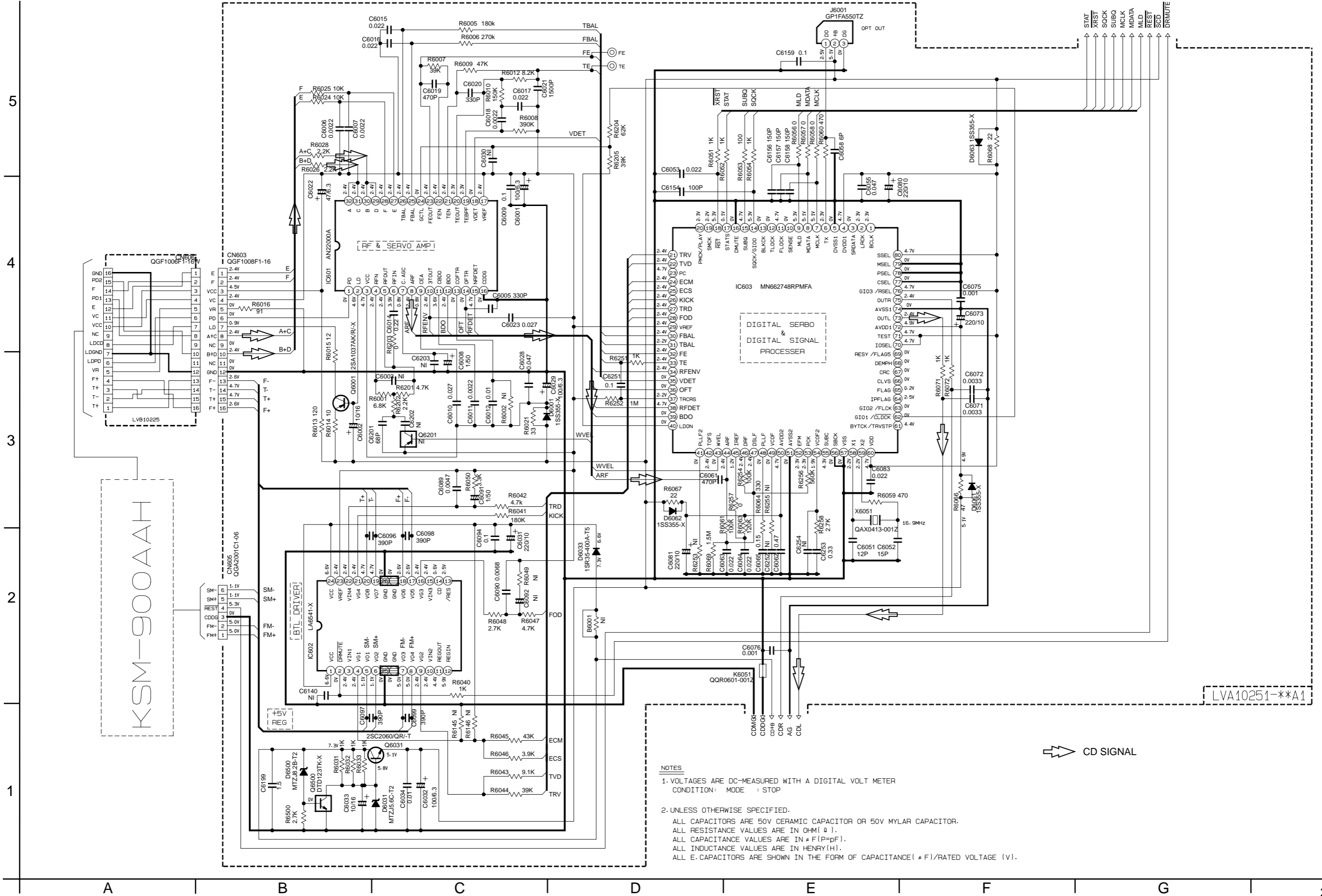
AUDIO & COMMUNICATION BUSINESS DIVISION

PERSONAL & MOBILE NETWORK BUSINESS UNIT. 10-1,1chome,Ohwatari-machi,Maebashi-city,371-8543,Japan

Block diagram



CD servo control section



NOTES

1. VOLTAGES ARE DC-MEASURED WITH A DIGITAL VOLT METER
CONDITION: MODE : STOP
2. UNLESS OTHERWISE SPECIFIED.
ALL CAPACITORS ARE 50V CERAMIC CAPACITOR OR 50V MYLAR CAPACITOR.
ALL RESISTANCE VALUES ARE IN OHM (Ω).
ALL CAPACITANCE VALUES ARE IN # F(P=pF).
ALL INDUCTANCE VALUES ARE IN HENRY(H).
ALL E. CAPACITORS ARE SHOWN IN THE FORM OF CAPACITANCE(# F)/RATED VOLTAGE (V).

■ LCD & Key control section

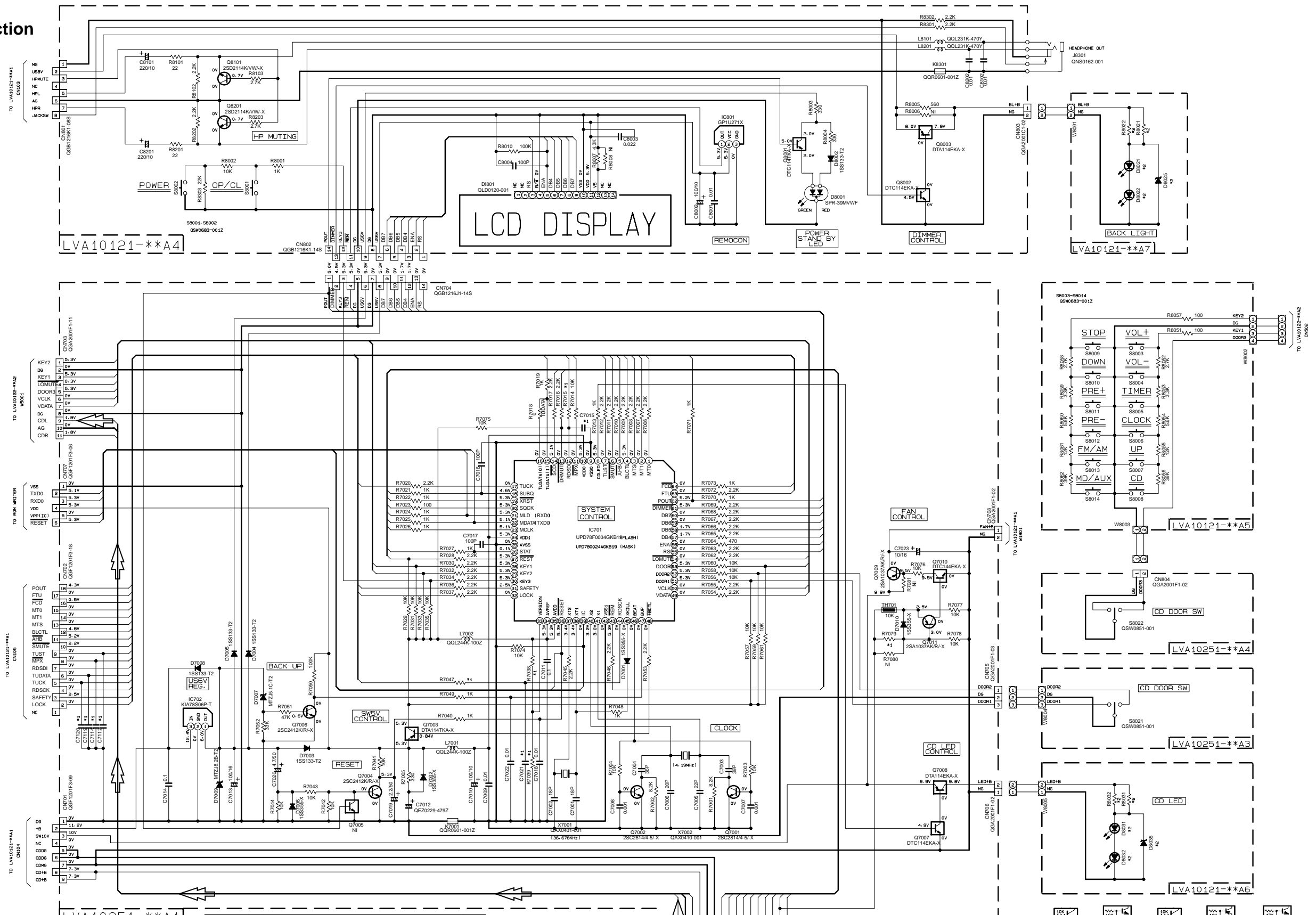
5

4

3

2

1

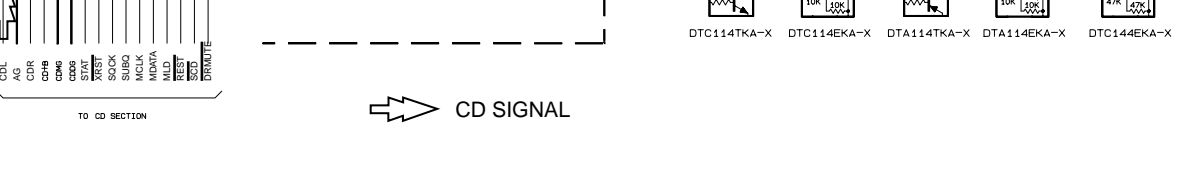


NOTES

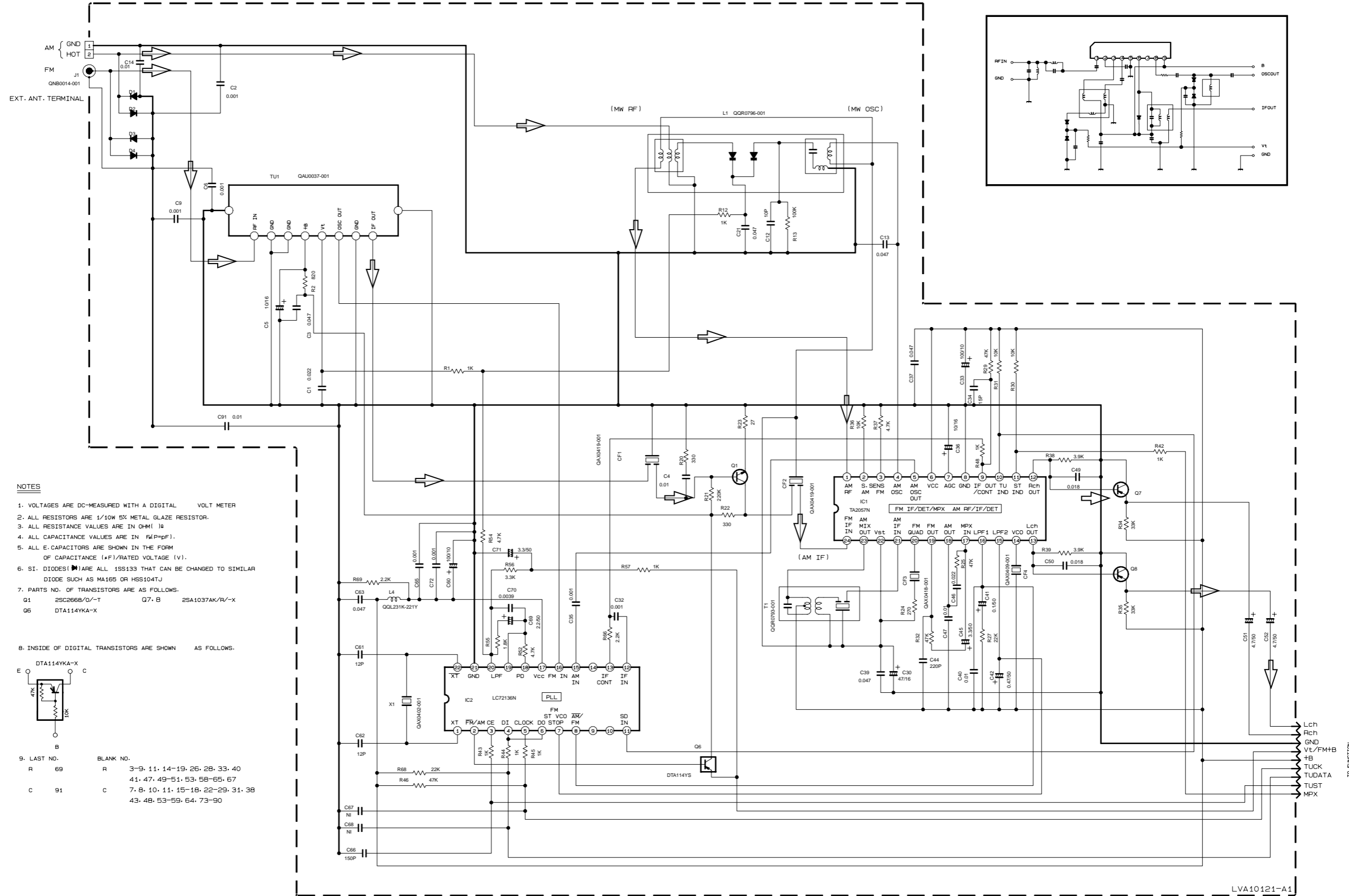
- VOLTAGES ARE DC-MEASURED WITH A DIGITAL VOLT METER OR OSCILLOSCOPE WITHOUT INPUT SIGNAL. CONDITION --- CD STOP AT AC SUPPLY VOL: 16 BASS: 0 TREBLE: 0 AHB: ON DIMMER: OFF
- UNLESS OTHERWISE SPECIFIED, RESISTORS ARE 1/10W (OR 1/16W) ±5% MG RESISTOR. ALL RESISTANCE VALUES ARE IN Ω(K=1K). ALL CAPACITORS ARE CERAMIC CAPACITOR OR MYLAR CAPACITOR. ALL CAPACITANCE VALUES ARE IN μF(P=pF). ALL INDUCTANCE VALUES ARE IN mH(m=100). ALL E-CAPACITORS ARE SHOWN IN THE FORM OF CAPACITANCE (μF)/RATED VOLTAGE (V).

	US	UY/UT	W/UF/UP/UB	J/C	EE	A	B/E/EN/EV	D _o
R7038	27K	68K	27K	47K	12K	4.7K	10K	-
R7039	4.7K	27K	4.7K	33K	27K	27K	-	10K
R7015	-	-	-	-	1K	-	1K	-
C7015	-	-	-	-	100P	-	100P	-
R7047	-	-	-	-	1K	-	1K	-
C7021	-	-	-	-	100P	-	100P	-
C7112, C7114, C7119, C7120	100P	100P	100P	-	-	-	-	-
R7079	6.8K	5.1K	5.1K	5.1K	5.1K	5.1K	5.1K	5.1K

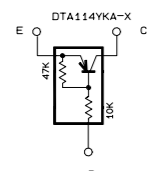
	FS-S05(R)/Z(R)	FS-S09(R)
D8021, D8022	SELU1E50CM	TLYH156P
D8025	MTZJ10C-T2	-
R8021, R8022	100	390
D8031, D8032	SELU1E56BM	TLYH156P
D8035	MA3100/W-X	-
R8031, R8032	430	560



Tuner section



NOTES

1. VOLTAGES ARE DC-MEASURED WITH A DIGITAL VOLT METER
2. ALL RESISTORS ARE 1/10W 5% METAL GLAZE RESISTOR.
3. ALL RESISTANCE VALUES ARE IN OHM (Ω)
4. ALL CAPACITANCE VALUES ARE IN PICO (pF).
5. ALL E-CAPACITORS ARE SHOWN IN THE FORM OF CAPACITANCE (+F)/RATED VOLTAGE (V).
6. SI. DIODES (▶) ARE ALL 1SS133 THAT CAN BE CHANGED TO SIMILAR DIODE SUCH AS MA165 OR HSS104TJ
7. PARTS NO. OF TRANSISTORS ARE AS FOLLOWS.
 Q1 2SC266B/O/-T Q7. B 2SA1037AK/R/-X
 Q6 DTA114YKA-X
8. INSIDE OF DIGITAL TRANSISTORS ARE SHOWN AS FOLLOWS.

9. LAST NO. BLANK NO.
 R 69 R 3-9, 11, 14-19, 26, 28, 33, 40
 41, 47, 49-51, 53, 58-65, 67
 C 91 C 7, 8, 10, 11, 15-18, 22-29, 31, 38
 43, 48, 53-59, 64, 73-90

CONDITION	PIN NO.	1	2	3	4	5	6	7	8	9	10	11	12	13	14	15	16	17	18	19	20	21	22	23	24	
IC1	FM NO SIGNAL	2.0	0.5	0	2.0	5.1	5.1	0	0	0.3	5.1	5.1	1.1	1.1	1.1	4.4	3.7	3.7	1.4	0	1.3	1.1	2.0	2.0	5.1	2.0
	FM 600B STEREO	2.0	0.5	0	2.0	5.1	5.1	1.1	0	0.3	0	0	1.1	1.1	4.3	4.1	3.7	1.4	0	1.4	1.1	2.0	2.0	5.1	2.0	
	AM NO SIGNAL	2.0	0.5	0	2.0	5.1	5.1	0	0	0.3	5.1	5.1	1.1	1.1	4.5	0.1	0	1.4	1.4	1.5	1.6	2.0	2.0	5.1	2.0	
IC2	FM NO SIGNAL	2.4	0	0	1.1	5.0	1.1	3.7	3.7	0	0	5.1	0	0	0	0	2.6	5.1	1.0	1.0	3.7	0	2.7			

Tr No.	Q1	Q6	Q7	Q8								
FM 87.5MHZ	0	7.5	0.7	8.8	8.8	0	1.6	0	1.1	1.6	0	1.1
AM 520KHZ	0	0	0	8.8	0	8.7	1.6	0	1.1	1.6	0	1.1

▶ TUNER SIGNAL

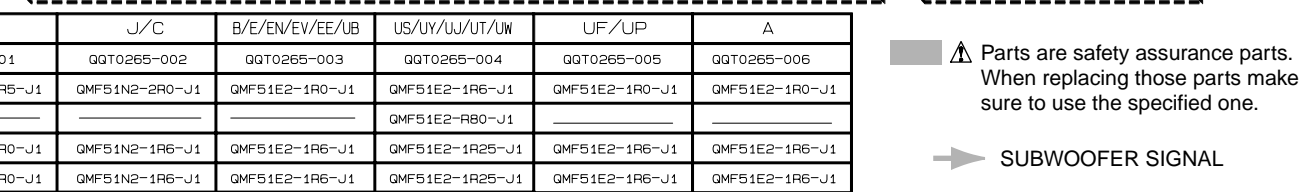
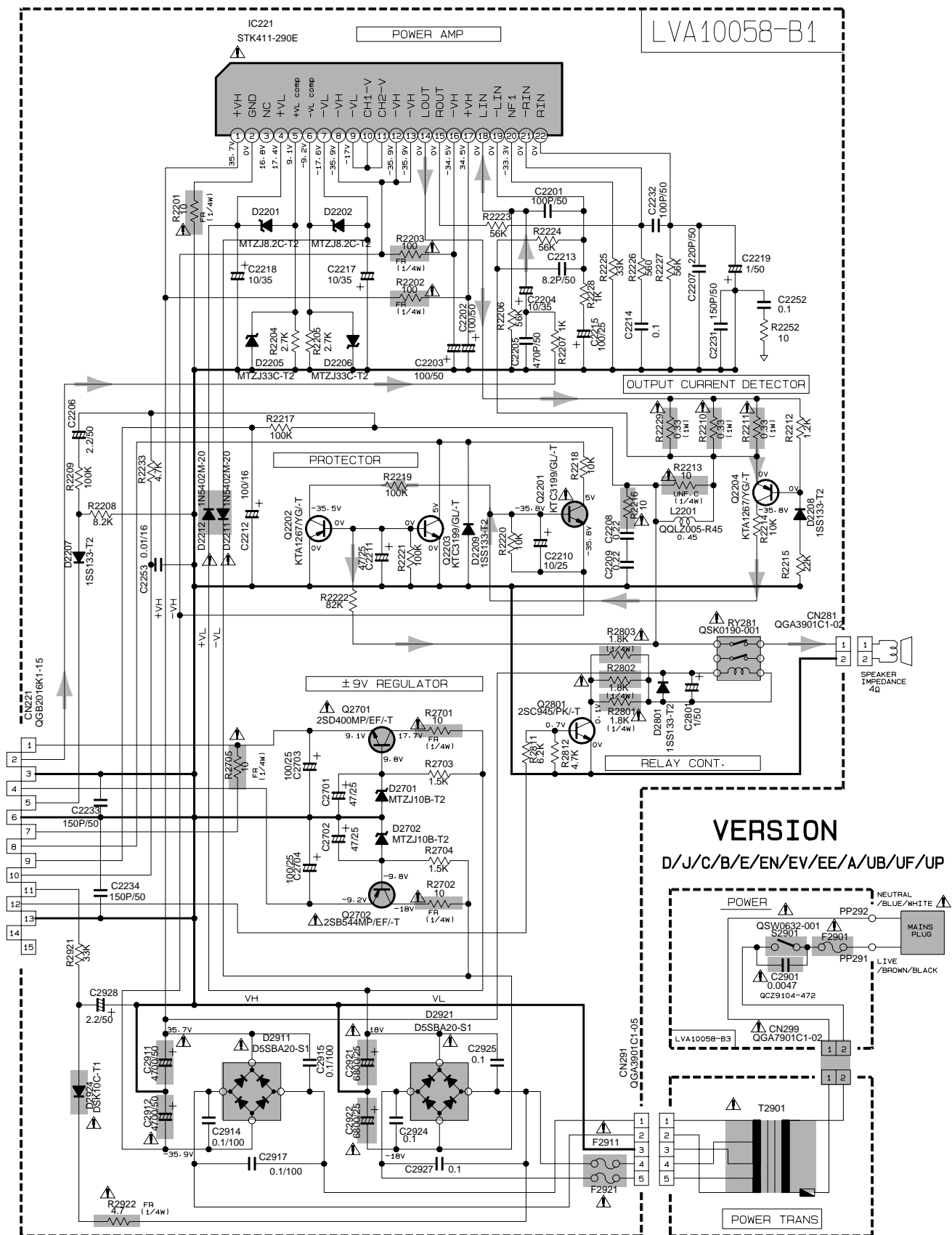
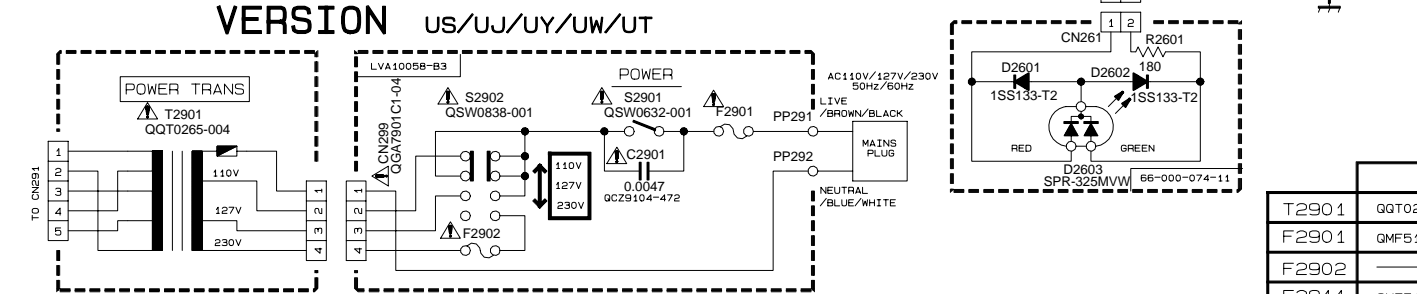
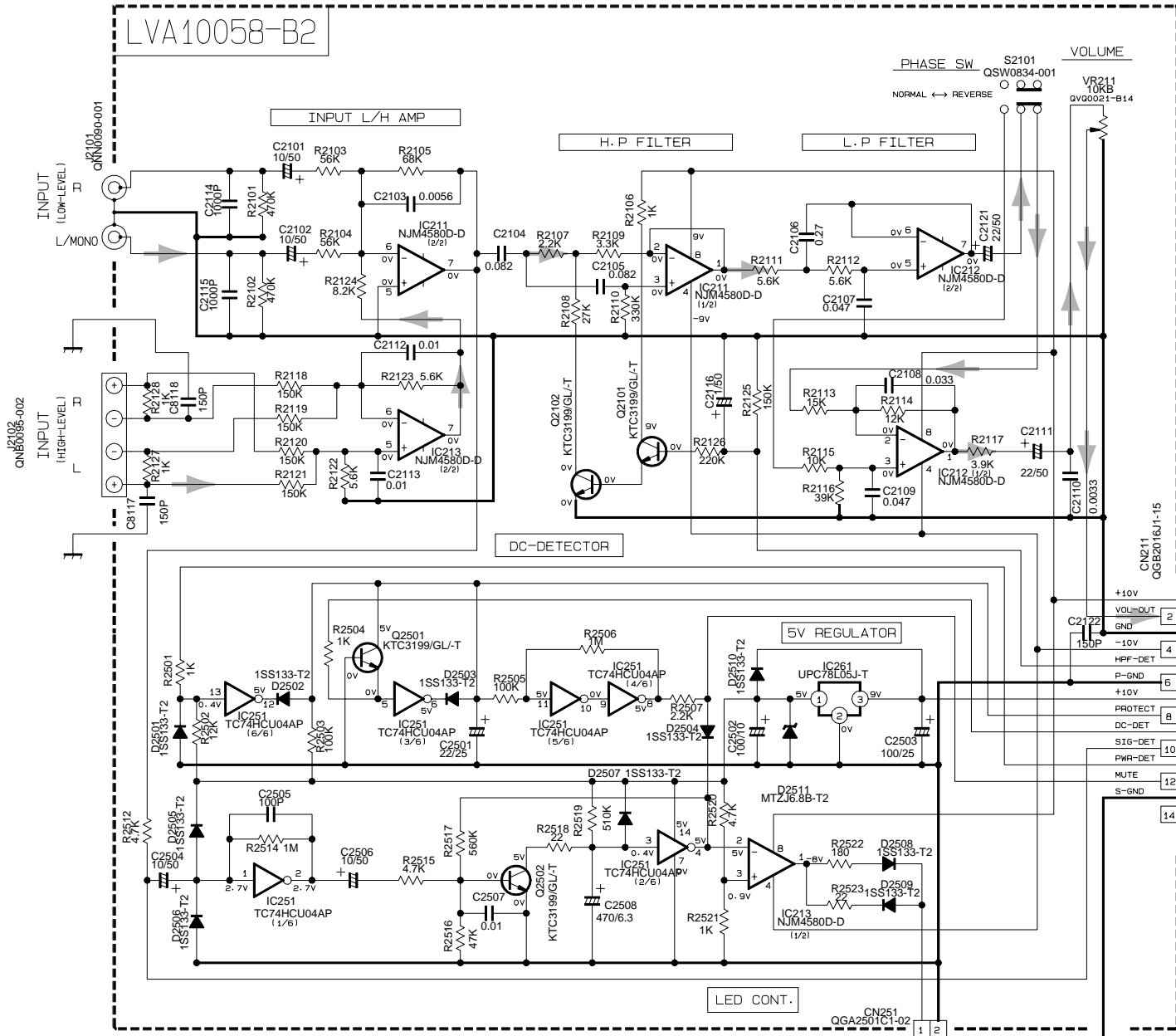
LVA10121-A1

Sub woofer amp section

NOTES

1. VOLTAGES ARE DC-MEASURED WITH A DIGITAL VOLT METER WITHOUT INPUT SIGNAL.
2. UNLESS OTHERWISE SPECIFIED.

ALL RESISTORS ARE 1/4W ±5% CARBON RESISTOR.
 ALL CAPACITORS ARE CERAMIC CAPACITOR OR MYLAR CAPACITOR.
 ALL RESISTANCE VALUES ARE IN OHM(Ω).
 ALL CAPACITANCE VALUES ARE IN μF(P=pF).
 ALL E-CAPACITORS ARE SHOWN IN THE FORM OF CAPACITANCE(μF)/RATED VOLTAGE (V).
 ALL INDUCTANCE VALUES ARE IN μH(m=mH).



	D	J/C	B/E/EN/EV/EE/UB	US/UJ/UJ/UT/UM	UF/UP	A
T2901	QGT0265-001	QGT0265-002	QGT0265-003	QGT0265-004	QGT0265-005	QGT0265-006
F2901	GMF51U1-2R5-J1	GMF51N2-2R0-J1	GMF51E2-1R0-J1	GMF51E2-1R6-J1	GMF51E2-1R0-J1	GMF51E2-1R0-J1
F2902				GMF51E2-1R0-J1		
F2911	GMF51N2-2R0-J1	GMF51N2-1R6-J1	GMF51E2-1R6-J1	GMF51E2-1R25-J1	GMF51E2-1R6-J1	GMF51E2-1R6-J1
F2921	GMF51N2-2R0-J1	GMF51N2-1R6-J1	GMF51E2-1R6-J1	GMF51E2-1R25-J1	GMF51E2-1R6-J1	GMF51E2-1R6-J1

▲ Parts are safety assurance parts. When replacing those parts make sure to use the specified one.

➔ SUBWOOFER SIGNAL

5

4

3

2

1

A

B

C

2-6

D

E

F

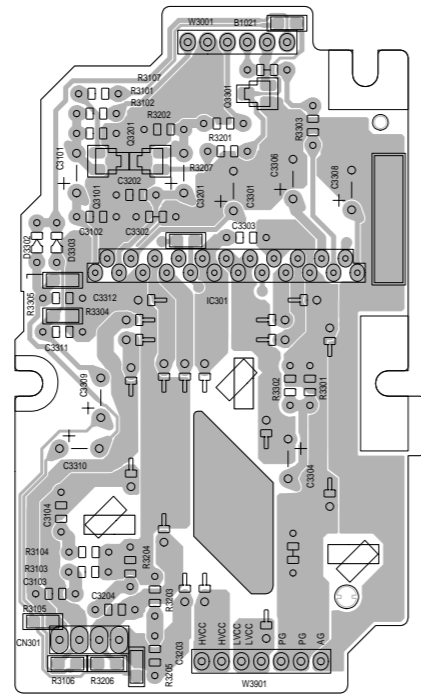
G

H

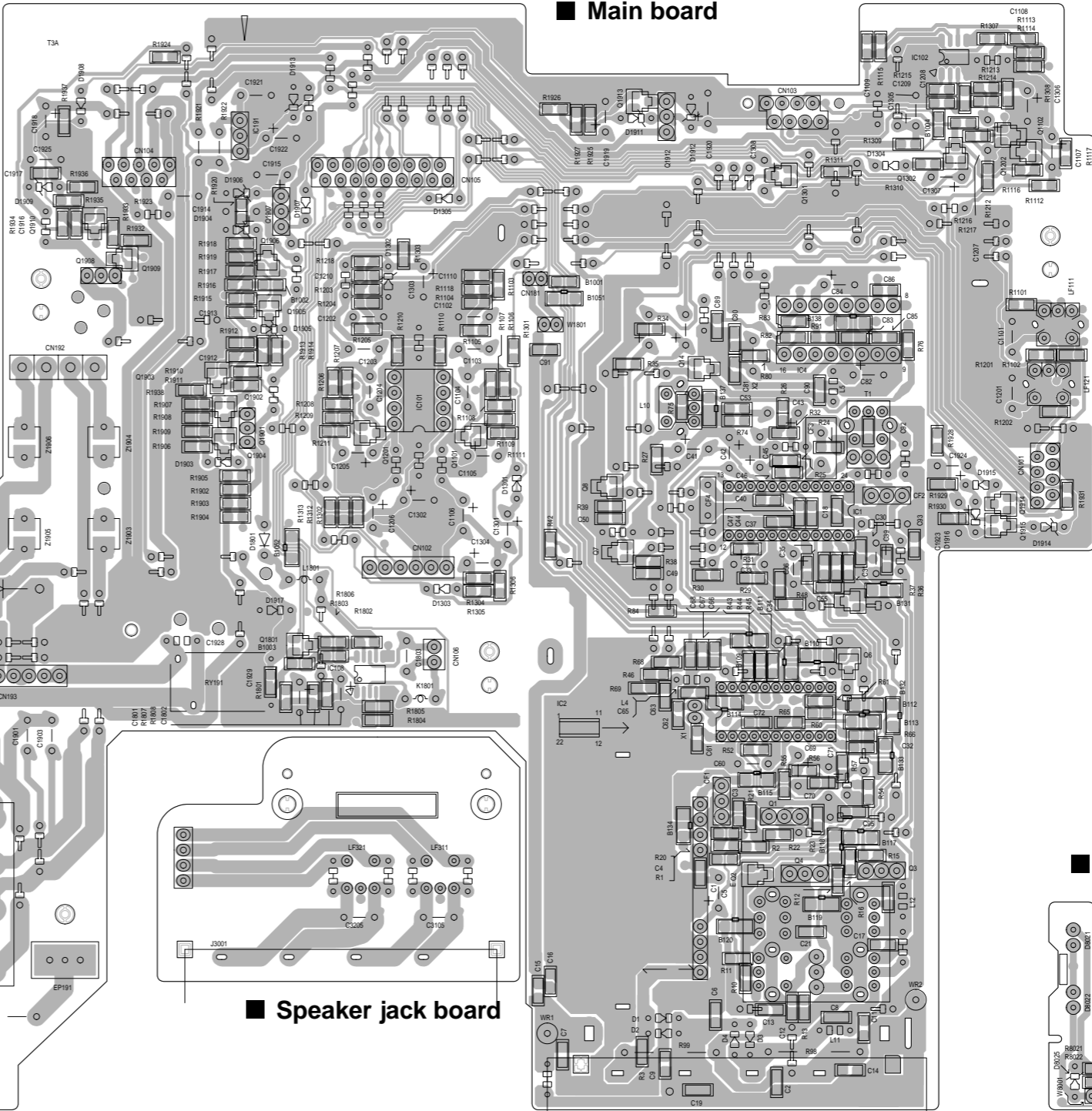
Printed circuit boards

5
4
3
2
1

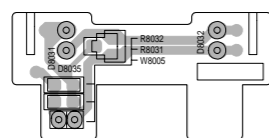
■ Power IC board



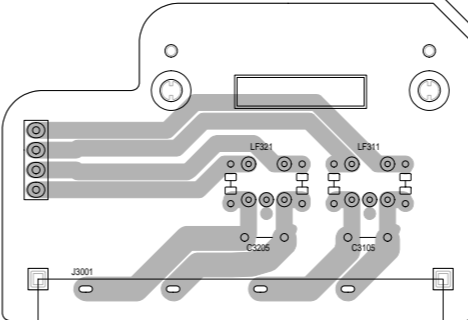
■ Main board



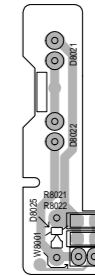
■ LCD lamp board



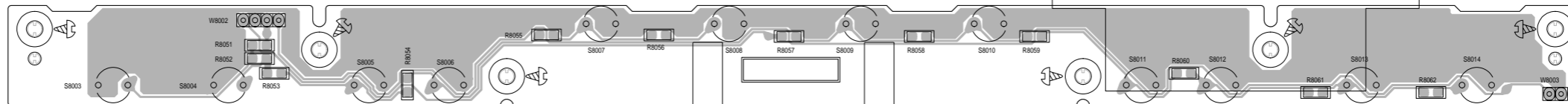
■ Speaker jack board



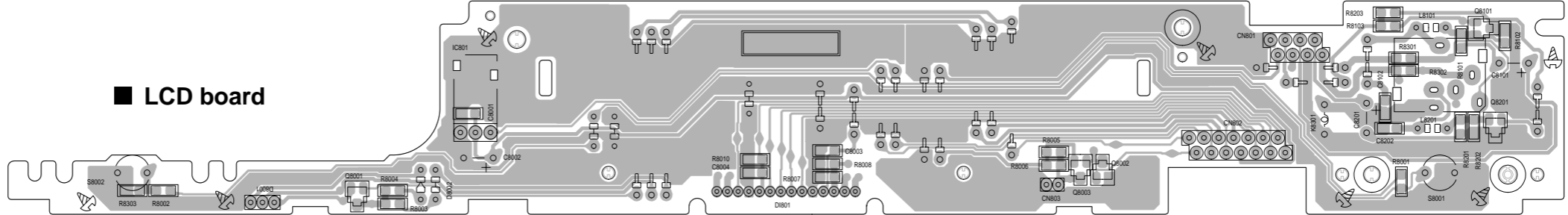
■ Lamp board



■ Switch board



■ LCD board



A

B

C

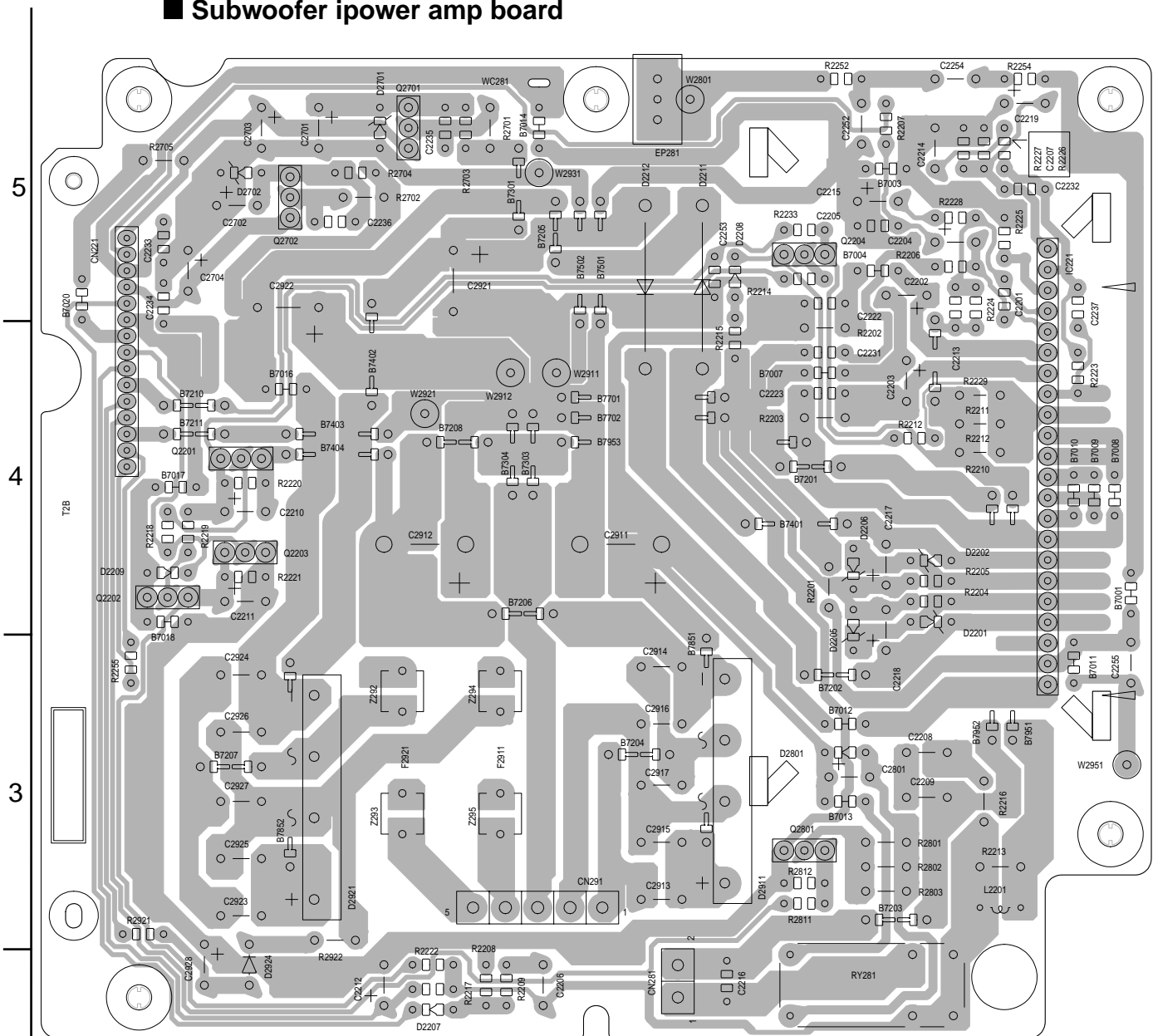
D

E

F

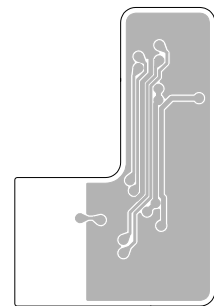
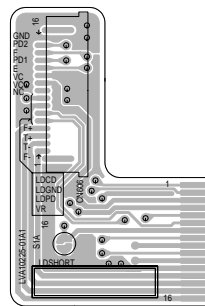
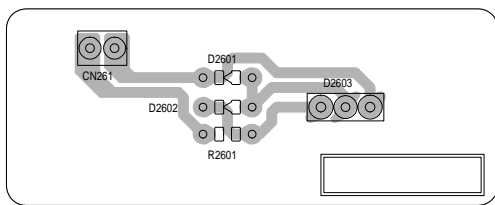
G

■ Subwoofer ipower amp board



■ Sub board (Forward side)

■ Subwoofer LED board



■ Sub board (Reverse side)

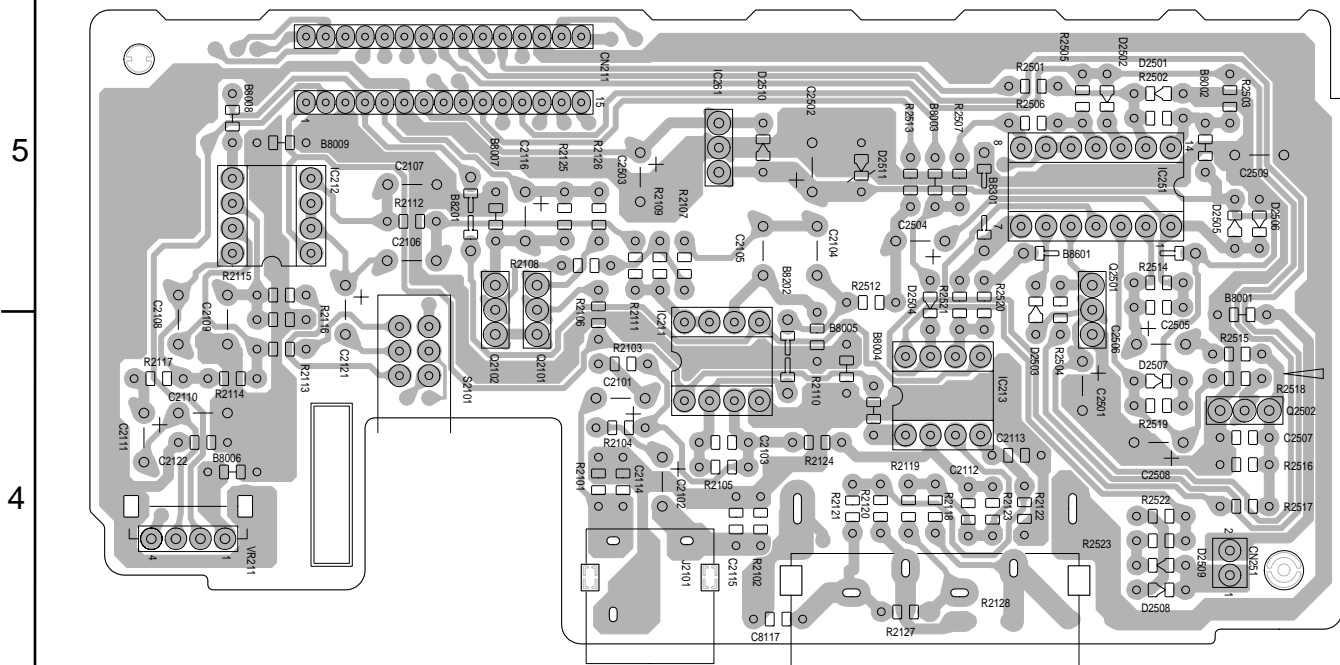
5
4
3
2
1

A

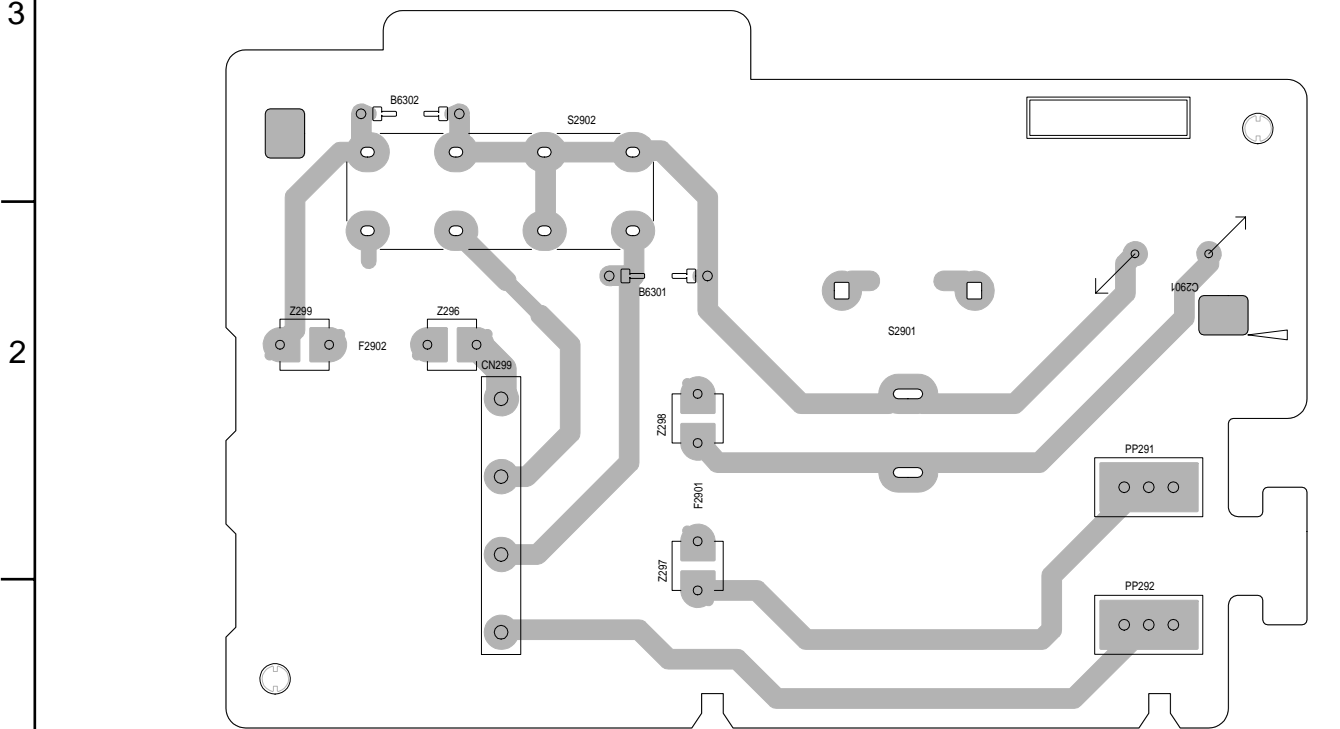
B

C

■ Subwoofer input board



■ Subwoofer power supply board



2-10

A

B

C

PARTS LIST

[FS-SD1000]

* All printed circuit boards and its assemblies are not available as service parts.

Area suffix	
US -----	Singapore
UF -----	China
UP -----	Korea
UT -----	Taiwan
UW -----	Brazil, Mexico, Peru

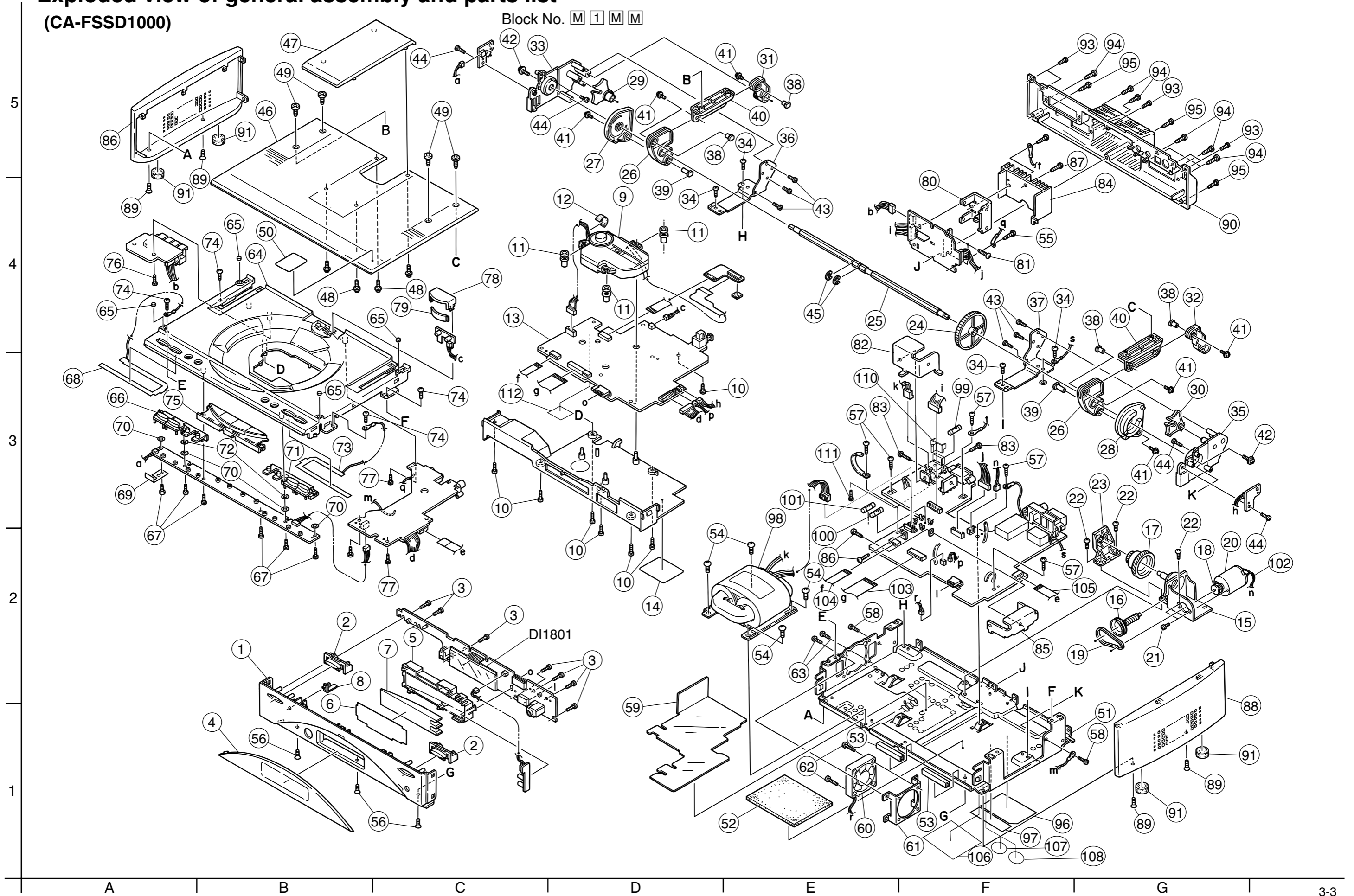
- Contents -

Exploded view of general assembly and parts list	
CA- FSSD1000 (Block No.M1)	3- 3
SP-PW1000(Block No.M2)	3- 6
Electrical parts list (Block No.01~04)	3- 9
Packing materials and accessories parts list (Block No.M3,M5)	3-18

< MEMO >

Exploded view of general assembly and parts list (CA-FSSD1000)

Block No. **M 1 M M**



■ Parts list (General assembly) CA-FSSD1000

Block No. M1MM

△	Item	Parts number	Parts name	Q'ty	Description	Area
	1	LV10325-001A	FRONT PANEL	1	MIPS/PAINT/SILK	
	2	LV31677-001A	PUSH BUTTON 1	2	ABS/PLATING	
	3	QYSDSF2608Z	SCREW	7	FRONT+SW PWB+BT	
	4	GN30001-002A	LENS	1	PMMA/HOT STAMP	
	5	LV31679-001A	LCD CASE	1	ABS	
	6	LV41519-001A	SHEET	1	LCD FILTER	
	7	LV31680-001A	REFLECTOR	1	PMMA/MILKY	
	8	LV41520-001A	INDICATOR	1	STANDBY LED	
	9	KSM-900AAH	CD MECHA	1	CD MECHA	
	10	QYSDSF2608Z	SCREW	7	CD CHASSIS+TOP	
	11	LV40770-002A	INSULATOR	3		
	12	LV30064-008A	SPACER	1		
	13	LV10326-002A	CD CHASSIS	1	MIPS	
	14	LV42035-001A	LASER CAUTION	1	MIPS	
	15	LV31687-001A	MOTOR BASE	1	ABS	
	16	LV41522-002A	WORM GEAR	1	POM	
	17	LV41523-001A	WORM WHEEL	1	POM	
	18	LV41536-001A	PULLEY	1	POM	
	19	LV41598-001A	BELT	1		
	20	QAR0100-001	DC MOTOR	1		
	21	QYSPSP3004Z	SCREW	2	DC MOTOR+M.BASE	
	22	QYSBST3006Z	T.SCREW	3	MOTER.B+BOTTOM.	
	23	LV31688-001A	WHEEL STOPPER	1	ABS	
	24	LV41524-001A	MAIN GEAR	1	POM	
	25	LV31689-002A	SHAFT 1	1	COST DOWN	
	26	LV31690-001A	ARM	2	ABS	
	27	LV31691-001A	G.WHEEL(L)	1	POM	
	28	LV31692-001A	G.WHEEL(R)	1	POM	
	29	LV31693-001A	G.GEAR(L)	1	PBT	
	30	LV31694-001A	G.GEAR(R)	1	PBT	
	31	LV31695-001A	ARM GEAR(L)	1	PBT	
	32	LV31696-001A	ARM GEAR(R)	1	PBT	
	33	LV31697-002A	GEAR BASE(L)	1	PBT	
	34	QYSBST3006Z	T.SCREW	4	GEAR.B+BOTTOM	
	35	LV31698-002A	GEAR BASE(R)	1	PBT	
	36	LV32127-001A	GEAR BKT(L)	1	EGC T1	
	37	LV32128-001A	GEAR BKT(R)	1	EGC T1	
	38	LV41929-001A	SHAFT 4	4	PBT	
	39	LV41930-001A	SHAFT 5	2	PBT	
	40	LV31701-001A	DOOR BASE	2	ABS	
	41	QYSPSFG2605N	SCREW	6	DOOR BASE+ARM	
	42	QYSPSPG3006Z	SCREW	2	SAFT 1+G.BASE	
	43	QYSDSF2606Z	SCREW	6	G.BKT+G.BASE	
	44	QYSDSF2606Z	SCREW	4	SW.PWB+G.BASE	
	45	QYREE6000X	E RING	2		
	46	LV10328-003A	CD DOOR	1	PMMA/SILK*2	
	47	LV31702-017A	DOOR COVER	1	PS/PAINT/SILK*2	
	48	LV41758-001A	CUSTOM SCREW	4	D.C.BKT+D.COVER	

■ Parts list (General assembly) CA-FSSD1000

Block No. M1MM

△	Item	Parts number	Parts name	Q'ty	Description	Area
	49	LV41587-001A	SPECIAL SCREW	4	CD DOOR+D.BASE	UP US UT UW
	50	LV41819-002A	CAUTION LABEL	1		UF
		LV41819-001A	CAUTION LABEL	1		
	51	LV10329-001A	BOTTOM CHASSIS	1	EGC T1.0	
	52	LV30064-068A	SPACER	1		
	53	LV30064-075A	SPACER	2	BOTTOM	
	54	QYSBST4006Z	T.SCREW	4	BOTTOM.C+TRANS	
	55	QYSBST3006Z	T.SCREW	1	BOTTOM.C+AMP PW	
	56	QYSSST3006Z	SCREW	3	BOTTOM+FRONT.P	
	57	QYSBST3006E	T.SCREW	5	BOTTOM+MAIN PWB	
	58	QYSDSF2606Z	SCREW	2	BOTTOM+G.BASE	
	59	LV31901-002A	BURRER	1	BETW.AC&BTM	
	60	QAR0148-001	FAN MOTOR	1		
	61	LV41799-001A	FAN BRACKET	1		
	62	QYSPST3012Z	T.SCREW	2	FAN+F.BKT	
	63	QYSBST3006Z	T.SCREW	2	F.BKT+BOTTOM	
	64	LV10440-007A	TOP COVER	1	MIPS/PAINT/SILK	
	65	LV41821-001A	FELT	4	TOP(CD DOOR ½Ú	
	66	LV31681-003A	PUSH BUTTON 3	1	ABS/PLATING	
	67	QYSDSF2608Z	SCREW	6	P.BTN3+PWB+TOP	
	68	LV41826-001A	SHIELD(A)	1		
	69	LV41828-002A	PROTECTOR	1	FOR TOP	
	70	LV30226-015A	SPACER	4		
	71	LV31682-003A	PUSH BUTTON 2	1	ABS/PLATINGR	
	72	LV30226-015A	SPACER	2		
	73	LV41827-001A	SHIELD(R)	1		
	74	QYSBST3006Z	T.SCREW	4	BOTTOM.C+TOP	
	75	GN30008-003A	FUNC BTN ASSY	1		
	76	QYSDSF2606Z	SCREW	1	SPK.PWB+TOP	
	77	QYSDSF2606Z	SCREW	2	JACK PWB+TOP	
	78	LV31686-001A	LED BOX	1	MIPS/SPRAY	
	79	LV41521-001A	LED COVER	1	ABS	
	80	LV31704-001A	IC HOLDER	1	AL T2	
	81	QYSBSF3010Z	SCREW	2	IC+IC HOLDER	
	82	LV31849-001A	HEAT SINK2	1	AL T2	
	83	QYSBSF3010Z	SCREW	2	DIODE+H.SINK2	
	84	LV31705-002A	HEAT SINK	1	AL	
	85	LV31850-001A	HEAT SINK3	1	AL T2	
	86	QYSBSF3010Z	SCREW	2	TR+H.SINK3	
	87	QYSBSF3008E	SCREW	2	IC HOLDER+H.SIN	
	88	LV10330-001A	SIDE PANEL(L)	1	MIPS/PAINT	
	89	QYSSST3006Z	SCREW	4	S.PANEL+BOTTOM	
	90	LV10331-001A	SIDE PANEL(R)	1	MIPS/PAINT	
	91	LV41832-001A	FOOT	4	SIDE PANEL	
	92	LV10332-001A	REAR PANEL	1	ABS/EMBOSS	UF UP
		LV10332-003A	REAR PANEL	1	ABS/EMBOSS	US UT UW
	93	QYSDSF2608N	SCREW	5	REAR+TOP	
	94	QYSDSG3008N	T.SCREW	7	REAR+JACK	

Parts list (General assembly) CA-FSSD1000

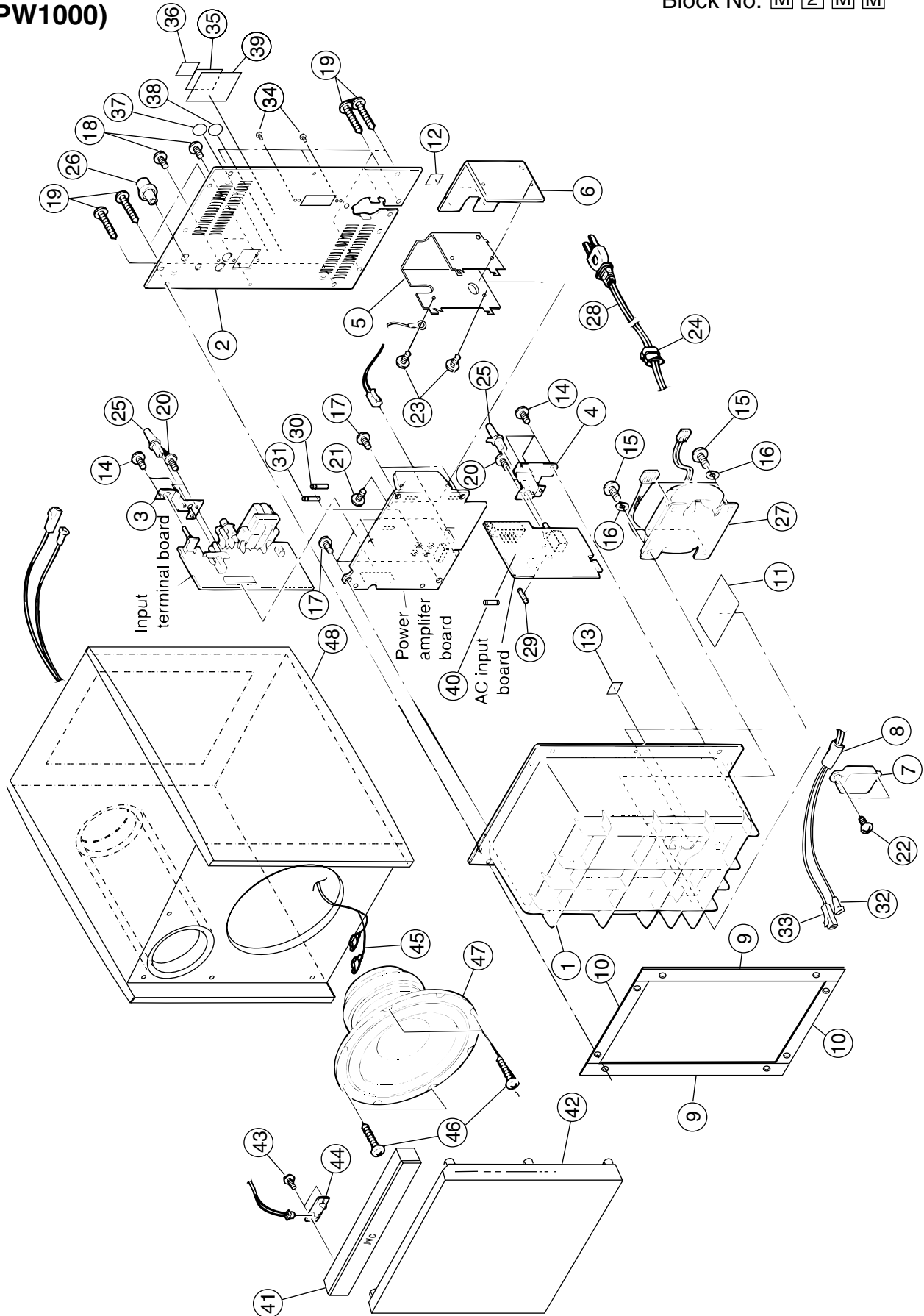
Block No. M1MM

△	Item	Parts number	Parts name	Q'ty	Description	Area
	95	QYSDSG3008N	T.SCREW	3	REAR+BOTTOM	
	96	LV32654-005A	RATING LABEL	1	SD1000J	US UT UW
		LV32654-008A	RATING LABEL	1		UF
		LV30262-005A	UP LABEL	1		UP
	97	LV41772-001A	CAUTION LABEL	1		
△	98	QQT0286-004	POWER TRANSF	1	FOR T1901	US UT UW
△		QQT0286-006	POWER TRANSF	1	FOR T1901	UF UP
△	99	QMF51E2-1R0-J1	FUSE	1	FOR F1901	US UT UW
△		QMF51E2-R50-J1	FUSE	1	FOR F1901	UF UP
△	100	QMF51E2-6R3-J1	FUSE	1	FOR F1902	UF UP
△		QMF51E2-5R0-J1	FUSE	1	FOR F1902	US UT UW
△	101	QMF51E2-3R15-J1	FUSE	1	FOR F1903	
	102	WJM0133-001A	E-SI C WIRE C-F	1		
	103	QUQB12-1805BJ	FFC WIRE	1		
	104	QUQB12-0905BJ	FFC WIRE	1		
	105	QUQB12-0806AJ	FFC WIRE	1		
	106	LV32158-009A	UT LABEL	1		UT
	107	LV41768-001A	CCIB LABEL	1		UF
	108	E409372-001	CCEE LABEL	1		UF
	110	LV31865-001A	HOLDER	1	FOR VOL SEL	US UT UW
	111	QYSBSF3008Z	SCREW	1	HOLDER+PWB	US UT UW
	112	LV41918-001A	HEAT PLATE	1		US
	DI801	QLD0120-001	LCD	1		

Exploded view of general assembly and parts list

(SP-PW1000)

Block No. M 2 M M



Parts list (General assembly) SP-PW1000

Block No. M2MM

△	Item	Parts number	Parts name	Q'ty	Description	Area
	1	LV10253-002A	COVER	1		
	2	LV20470-012A	BACK PANEL	1		US UT UW
		LV20470-010A	BACK PANEL	1		UF
		LV20470-011A	BACK PANEL	1		UP
	3	LV41146-001A	VOLUME BRACKET	1		
	4	LV41147-001A	AC BRACKET	1		
△	5	LV31303-002A	HEAT SINK	1		
△	6	LV41211-001A	HEAT SINK	1		
	7	LV41148-002A	CORD COVER	1		
	8	LV30225-025A	SPACER	1		
	9	LV30225-026A	SPACER	2		
	10	LV30225-027A	SPACER	2		
	11	LV30225-028A	SPACER	1		
	12	LV30225-029A	SPACER	2		
	13	LV30225-030A	SPACER	1		
	14	QYSBSF3008Z	SCREW	5	FOR AC BRACKET	
	15	QYSBSF4016Z	SCREW	4	FOR TRANS	
	16	QYWLS417610Z	WASHER	4		
	17	QYSBSF3008Z	SCREW	6	FOR PCB	
	18	QYSBSGY3008E	SPECIAL SCREW	3	FOR SPK TERMINA	
	19	QYSDSA4020M	TAP SCREW	11		
	20	QYSBST3006Z	T.SCREW	4	FOR POWER SW	
	21	QYSBSG3016Z	T.SCREW	2	FOR POWER IC	
	22	QYSBSF4012Z	SCREW	2		
	23	QYSBSG3010Z	T.SCREW	2		
△	24	QHS3771-108	CORD STOPPER	1		
	25	E407321-002SM	PUSH BUTTON	2		
	26	LV30734-002A	KNOB	1		
△	27	QQT0265-005	POWER TRANS	1	FOR T2901	UF UP
△		QQT0265-004	POWER TRANS	1	FOR T2901	US UT UW
△	28	EMP7000-200	POWER CORD	1		UP
△		QMPK090-205-JN	POWER CORD	1		US UW
△		QMPR100-200-JC	POWER CORD	1		UF
△		QMPR110-200-JN	POWER CORD	1		UT
△	29	QMF51E2-1R0-J1	FUSE	1	FOR F2901	UF UP
△		QMF51E2-1R6-J1	FUSE	1	FOR F2901	US UT UW
△	30	QMF51E2-1R6-J1	FUSE	1	FOR F2911	UF UP
△		QMF51E2-1R25-J1	FUSE	1	FOR F2911	US UT UW
△	31	QMF51E2-1R25-J1	FUSE	1	FOR F2921	US UT UW
△		QMF51E2-1R6-J1	FUSE	1	FOR F2921	UF UP
	32	WJJ0097-001A	E-SI C WIRE C-C	1		
	33	WJJ0098-001A	E-SI C WIRE C-C	1		
	34	QYSBSF2608M	SCREW	2	FOR VOL TAGE SW	US UT UW
	35	LV30262-004A	UP LABEL	1		UP
	36	LV30092-0B1A	UF LABEL	1		UF
	37	LV41768-001A	CCIB LABEL	1		UF
	38	E409372-001	CCEE LABEL	1		UF
	39	LV32158-008A	UT LABEL	1		UT

■ **Parts list (General assembly) SP-PW1000**

Block No. M2MM

△	Item	Parts number	Parts name	Q'ty	Description	Area
△	40	QMF51E2-R80-J1	FUZE	1	FOR F2902	US UT UW
	41	AA000023-01	ORNAMENT WINDOW	1		
	42	99-160-105-01	SARAN NET	1		
	43	7004690801	TAPPING SCREW	2		
	44	LV41212-001A	L.E.D.INDICATOR	1		
	45	61-000-632-01	CONN.WIRE ASSY	1		
	46	70-059-416-02	SCREW	4		
	47	KK160004-01	CONE SPEAKER	1		
	48	AA000022-02	SPEAKER CABINET	1		

■ Electrical parts list (Main board)

Block No. 01

△	Item	Parts number	Parts name	Remarks	Area	△	Item	Parts number	Parts name	Remarks	Area
	C 1	NCB21HK-223X	C CAPACITOR				C1106	QTE1C06-226Z	E CAPACITOR	AHB	
	C 2	NCB21HK-102X	C CAPACITOR				C1107	QETN1HM-475Z	E CAPACITOR	HP	
	C 3	NCB21EK-473X	C CAPACITOR				C1108	NCS21HJ-151X	C CAPACITOR	HP	
	C 4	NCB21HK-103X	C CAPACITOR				C1109	NCS21HJ-222X	C CAPACITOR	HP	
	C 5	QEKC1CM-106Z	E CAPACITOR	10MF 20% 16V			C1110	NFV41HJ-272X	M CAPACITOR		
	C 6	NCB21HK-102X	C CAPACITOR				C1201	QFN31HJ-562Z	M CAPACITOR	MPX	
	C 9	NCB21HK-102X	C CAPACITOR				C1203	QFZ0160-123Z	M CAPACITOR	AHB	
	C 12	NDU21HJ-100X	C CAPACITOR				C1204	QFZ0160-123Z	M CAPACITOR	AHB	
	C 13	NCB21EK-473X	C CAPACITOR				C1206	QTE1C06-226Z	E CAPACITOR	AHB	
	C 14	NCB21HK-103X	C CAPACITOR				C1207	QETN1HM-475Z	E CAPACITOR	HP	
	C 21	NCB21EK-473X	C CAPACITOR				C1208	NCS21HJ-151X	C CAPACITOR	HP	
	C 30	QEKC1CM-476Z	E CAPACITOR	47MF 20% 16V			C1209	NCS21HJ-222X	C CAPACITOR	HP	
	C 32	NCB21HK-102X	C CAPACITOR				C1210	NFV41HJ-272X	M CAPACITOR		
	C 33	QEKC1AM-107Z	E CAPACITOR	100MF 20% 10V			C1302	QTE1E28-476Z	E CAPACITOR	AHB	
	C 34	NCS21HJ-150X	C CAPACITOR				C1303	QTE1C06-476Z	E CAPACITOR	AHB	
	C 35	NCB21HK-102X	C CAPACITOR				C1305	QETN1VM-107Z	E CAPACITOR	HP	
	C 36	QEKC1CM-106Z	E CAPACITOR	10MF 20% 16V			C1306	QETN1CM-476Z	E CAPACITOR	HP	
	C 37	NCB21EK-473X	C CAPACITOR				C1307	QETN1HM-106Z	E CAPACITOR	HP.MUTE.D	
	C 39	NCB21EK-473X	C CAPACITOR				C1308	QETN1HM-106Z	E CAPACITOR	S.MUTE.D	
	C 40	NCB21HK-103X	C CAPACITOR				C1801	QETN1HM-106Z	E CAPACITOR	M.DRIVE	
	C 41	QEKC1HM-104Z	E CAPACITOR	.10MF 20% 50V			C1802	QETN1VM-107Z	E CAPACITOR	M.DRIVE	
	C 42	QEKC1HM-474Z	E CAPACITOR	.47MF 20% 50V			C1803	QFN31HJ-102Z	M CAPACITOR	M.DRIVE	
	C 44	NCS21HJ-221X	C CAPACITOR			△	C1901	QFG32AJ-223Z	PP CAPACITOR	HV	
	C 45	QEKC1HM-335Z	E CAPACITOR	3.3MF 20% 50V		△	C1902	QFG32AJ-223Z	PP CAPACITOR	HV	
	C 46	NCB21HK-223X	C CAPACITOR			△	C1903	QFG32AJ-223Z	PP CAPACITOR	HV	
	C 47	NCB21HK-103X	C CAPACITOR			△	C1904	QFG32AJ-223Z	PP CAPACITOR	HV	
	C 49	NCB21HK-183X	C CAPACITOR			△	C1905	QFG32AJ-223Z	PP CAPACITOR	LV	
	C 50	NCB21HK-183X	C CAPACITOR			△	C1906	QFG32AJ-223Z	PP CAPACITOR	LV	
	C 51	QETN1HM-475Z	E CAPACITOR	4.7MF 20% 50V		△	C1907	QFG32AJ-223Z	PP CAPACITOR	LV	
	C 52	QETN1HM-475Z	E CAPACITOR	4.7MF 20% 50V		△	C1908	QFG32AJ-223Z	PP CAPACITOR	LV	
	C 60	QEKC1AM-107Z	E CAPACITOR	100MF 20% 10V		△	C1909	QEZ0536-828	E CAPACITOR	HV	
	C 61	NCS21HJ-120X	C CAPACITOR			△	C1910	QEZ0536-828	E CAPACITOR	HV	
	C 62	NCS21HJ-120X	C CAPACITOR			△	C1911	QTE1E23-688	E CAPACITOR	LV	
	C 63	NCB21EK-473X	C CAPACITOR				C1912	NFV41HJ-221X	M CAPACITOR	SW10	
	C 65	NCB21HK-102X	C CAPACITOR				C1913	NFV41CJ-103X	M CAPACITOR	SW10	
	C 66	NCS21HJ-151X	C CAPACITOR				C1914	QTE1E28-476Z	E CAPACITOR	SW10	
	C 69	QEKC1HM-225Z	E CAPACITOR	2.2MF 20% 50V			C1915	QTE1C06-226Z	E CAPACITOR	L.FIL	
	C 70	NCB21HK-392X	C CAPACITOR				C1916	NCS21HJ-221X	C CAPACITOR	CD6.5	
	C 71	QEKC1HM-335Z	E CAPACITOR	3.3MF 20% 50V			C1917	NCB21HK-103X	C CAPACITOR	CD6.5	
	C 72	NCB21HK-102X	C CAPACITOR				C1918	QTE1E06-476Z	E CAPACITOR	CD6.5	
	C 91	NCB21HK-103X	C CAPACITOR				C1919	QETN1CM-106Z	E CAPACITOR	BL7	
	CF 1	QAX0419-001Z	C FILTER	FM IF			C1920	QETN1EM-226Z	E CAPACITOR	BL7	
	CF 2	QAX0419-001Z	C FILTER	FM IF			C1921	QFVJ1HJ-104Z	MF CAPACITOR	US5	
	CF 3	QAX0418-001Z	C FILTER				C1922	QETN1EM-106Z	E CAPACITOR	US5	
	CF 4	QAX0409-001	CERA LOCK				C1923	QETN1HM-475Z	E CAPACITOR	TU5	
	CN101	QGF1201F3-08	CONNECTOR	TO.FUNC.			C1924	QETN1CM-107Z	E CAPACITOR	TU5	
	CN102	QGA2501C1-06	6P CONNECTOR	TO.PO.			C1925	QFZ0160-223Z	PP CAPACITOR	CD6.5	
	CN103	QGB1216J1-08S	CONNECTOR	TO.FRONT			C1926	QCB1HK-103Y	C CAPACITOR	LV	
	CN104	QGF1201F3-09	CONNECTOR	TO.MICOM			C1927	QCB1HK-103Y	C CAPACITOR	HV	
	CN105	QGF1201F3-18	CONNECTOR	TO.MICOM			C1928	QCB1HK-103Y	C CAPACITOR	RY	
	CN106	QGA2501C1-02	2P CONNECTOR	TO.MOTOR			C1929	NCB21HK-103X	C CAPACITOR	RY	
	CN181	QGA2001C1-02	2P PLUG ASSY				C3101	QTE1V06-106Z	E CAPACITOR	IN	
	CN191	QGA7901C1-04	CONNECTOR	PRI.	US,UT,UW		C3102	QCB1HK-681Y	C CAPACITOR	IN	
	CN191	QGA7901C1-02	CONN.TERMINAL	PRI.	UF,UP		C3103	QCB1HK-104Y	TF CAPACITOR	OUT	
	CN192	QGA3901C1-04	4P CONNECTOR	SEC.			C3104	QCB1HK-104Y	TF CAPACITOR	OUT	
	CN193	QGA2501C1-07	7P CONNECTOR	TO.PO.			C3201	QTE1V06-106Z	E CAPACITOR	IN	
	CN301	QGA2501F1-04	CONNECTOR	FROM SP.JACK			C3202	QCB1HK-681Y	C CAPACITOR	IN	
	CN801	QGB1216K1-08S	CONNECTOR	TO AMP/TUNER			C3203	QCB1HK-104Y	TF CAPACITOR	OUT	
	CN802	QGB1216K1-14S	CONNECTOR	TO MICON/CD			C3204	QCB1HK-104Y	TF CAPACITOR	OUT	
	CN803	QGA2001C1-02	2P PLUG ASSY	TO BACK LIGHT			C3301	QETN1CM-106Z	E CAPACITOR	BEEP	
	C1101	QFN31HJ-562Z	M CAPACITOR	MPX			C3302	NCS21HJ-152X	C CAPACITOR		
	C1103	QFZ0160-123Z	M CAPACITOR	AHB			C3303	QCB1HK-104Y	TF CAPACITOR	HV	
	C1104	QFZ0160-123Z	M CAPACITOR	AHB			C3304	QTE1H06-475Z	E CAPACITOR		
							C3306	QTE1E06-476Z	E CAPACITOR	R.FILTOR	

■ Electrical parts list (Main board)

Block No. 01

△	Item	Parts number	Parts name	Remarks	Area
	C3308	QETN1CM-336Z	E CAPACITOR	ON.TIME	
	C8001	NCB21HK-103X	C CAPACITOR		
	C8002	QER61AM-107Z	E CAPACITOR	100MF 20% 10V	
	C8003	NCB21HK-223X	C CAPACITOR		
	C8004	NCS21HJ-101X	C CAPACITOR		
	C8101	QER61AM-227Z	E CAPACITOR	220MF 20% 10V	
	C8102	NCB21HK-103X	C CAPACITOR		
	C8201	QER61AM-227Z	E CAPACITOR	220MF 20% 10V	
	C8202	NCB21HK-103X	C CAPACITOR		
	D 1	1SS133-T2	SI DIODE		
	D 2	1SS133-T2	SI DIODE		
	D 3	1SS133-T2	SI DIODE		
	D 4	1SS133-T2	SI DIODE		
	D1302	MTZJ5.1A-T2	ZENER DIODE	AHB	
	D1304	1SS133-T2	SI DIODE	HP.MUTE	
	D1305	1SS133-T2	SI DIODE	S.MUTE	
	D1801	DSK10C-T1	DIODE	M.DRIV	
△	D1901	D5SBA20-S1	SI DIODE	HV	
△	D1902	D3SBA20-S1	DIODE	LV	
	D1903	1SS133-T2	SI DIODE	SW10	
	D1904	MTZJ5.6C-T2	ZENER DIODE	SW10	
	D1905	MTZJ10A-T2	ZENER DIODE	SW10	
	D1906	MTZJ11A-T2	ZENER DIODE	L.FIL	
	D1907	1SS133-T2	SI DIODE	L.FIL	
	D1908	1SS133-T2	SI DIODE	CD6.5	
	D1909	MTZJ6.8B-T2	ZENER DIODE	CD6.5	
△	D1910	6A10E2	SI DIODE	LV	
	D1911	MTZJ6.8A-T2	ZENER DIODE	BL8	
△	D1912	MTZJ10A-T2	ZENER DIODE	BL8	
△	D1913	MTZJ6.8B-T2	ZENER DIODE	US5V	
	D1914	MTZJ3.9B-T2	ZENER DIODE	TU5	
	D1915	1SS133-T2	SI DIODE	TU5	
	D1916	1SS133-T2	SI DIODE	TU5	
	D1917	1SS133-T2	SI DIODE	RY	
	D8001	SPR-39MVWF	LED	POWER/STANDBY	
	D8002	1SS133-T2	SI DIODE		
	D8021	SELU1E50CM	LED		
	D8022	SELU1E50CM	LED		
	D8025	MTZJ10C-T2	Z.DIODE		
	D8031	SELU1E56BM	LED		
	D8032	SELU1E56BM	LED		
	D8035	MA3100/M/-X	ZENER DIODE		
	EP131	QNZ0136-001Z	EARTH PLATE		
	IC 1	TA2057N	IC		
	IC 2	LC72136N	IC		
	IC101	NJM4580D-D	IC	AHB	
	IC102	BA15218F-XE	IC	HP	
	IC108	TA8409F-W	IC	M.DRIVE	
△	IC191	UPC78L05J-T	IC	US5	
△	IC301	LA4905	IC		
	IC801	GP1U271X	RM RECIVER		
	J 1	QNB0014-001	ANT TERMINAL	AM/FM ANT COAX	
△	J1901	QNC0030-001	AC INLET		
	J3001	QNB0092-001	SPK TERMINAL		
	J8301	QNS0162-001	JACK	HP.JACK	
	K1801	QQR0779-001Z	INDUCTOR		
	K8301	QQR0601-001Z	FERRITE BEADS		
	L 1	QQR0796-001	COIL BLOCK	MW RF/OSC	
	L 4	QQL231K-221Y	INDUCTOR		
	LF111	QQR0590-001	FILTER	MPX.FILTER	
	LF121	QQR0590-001	FILTER	MPX.FILTER	
△	LF191	QQR1145-001	LINE FILTER	EXCEPT J	
	L1801	QQL25CK-221Z	INDUCTOR	M.DRIVER	

△	Item	Parts number	Parts name	Remarks	Area
	L8101	QQL231K-470Y	INDUCTOR		
	L8201	QQL231K-470Y	INDUCTOR		
	PP101	QZW0038-001	WIRE CLAMP		
	PP102	QZW0038-001	WIRE CLAMP		
	PP103	QZW0038-001	WIRE CLAMP		
	PP104	QZW0038-001	WIRE CLAMP		
	Q 1	2SC2668/O/-T	TRANSISTOR		
	Q 6	DTA114YKA-X	TRANSISTOR		
	Q 7	2SA1037AK/R/-X	TRANSISTOR		
	Q 8	2SA1037AK/R/-X	TRANSISTOR		
	Q1102	2SC2412K/R/-X	TRANSISTOR	HP.MUTE	
	Q1202	2SC2412K/R/-X	TRANSISTOR	HP.MUTE	
	Q1301	DTA123EKA-X	DIGITAL.TR	S.MUTE.D	
	Q1302	DTA123EKA-X	DIGITAL.TR	HP.MUTE.D	
	Q1801	2SC2412K/R/-X	TRANSISTOR	M.DRIV	
△	Q1901	2SA1359/OY/	TRANSISTOR	SW10	
	Q1902	2SC2412K/R/-X	TRANSISTOR	SW10	
	Q1903	2SC2412K/R/-X	TRANSISTOR	SW10	
	Q1904	2SA1037AK/R/-X	TRANSISTOR	SW10	
	Q1905	DTA144TKA-X	TRANSISTOR	SW10	
	Q1906	DTC144TKA-X	TRANSISTOR	SW10	
	Q1907	2SD2144S/VW/-T	TRANSISTOR	L.FIL	
△	Q1908	2SA1359/OY/	TRANSISTOR	CD6.5	
	Q1909	2SC2412K/R/-X	TRANSISTOR	CD6.5	
	Q1910	2SC2412K/R/-X	TRANSISTOR	CD6.5	
△	Q1912	2SA1175/FE/-T	TRANSISTOR	BL7	
	Q1913	2SC2412K/R/-X	TRANSISTOR	BL7	
	Q1914	2SA1037AK/R/-X	TRANSISTOR	TU5	
	Q1915	2SC2412K/R/-X	TRANSISTOR	TU5	
	Q3101	2SD2114K/VW/-X	CHIP TRANSISTOR	S.MUTE	
	Q3201	2SD2114K/VW/-X	CHIP TRANSISTOR	S.MUTE	
	Q3301	DTA143TKA-X	TRANSISTOR	S.MUTE BUFF	
	Q8001	DTC114TKA-X	TRANSISTOR		
	Q8002	DTC114EKA-X	TRANSISTOR		
	Q8003	DTA114EKA-X	DIGITAL.TRANSIS		
	Q8101	2SD2114K/VW/-X	CHIP TRANSISTOR		
	Q8201	2SD2114K/VW/-X	CHIP TRANSISTOR		
	R 1	NRSA02J-102X	MG RESISTOR		
	R 2	NRSA02J-821X	MG RESISTOR		
	R 12	NRSA02J-102X	MG RESISTOR		
	R 13	NRSA02J-104X	MG RESISTOR		
	R 20	NRSA02J-331X	MG RESISTOR		
	R 21	NRSA02J-224X	MG RESISTOR		
	R 22	NRSA02J-331X	MG RESISTOR		
	R 23	NRSA02J-270X	MG RESISTOR		
	R 24	NRSA02J-271X	MG RESISTOR		
	R 25	NRSA02J-473X	MG RESISTOR		
	R 27	NRSA02J-223X	MG RESISTOR		
	R 29	NRSA02J-473X	MG RESISTOR		
	R 30	NRSA02J-103X	MG RESISTOR		
	R 31	NRSA02J-103X	MG RESISTOR		
	R 32	NRSA02J-473X	MG RESISTOR		
	R 34	NRSA02J-333X	MG RESISTOR		
	R 35	NRSA02J-333X	MG RESISTOR		
	R 36	NRSA02J-103X	MG RESISTOR		
	R 37	NRSA02J-472X	MG RESISTOR		
	R 38	NRSA02J-392X	MG RESISTOR		
	R 39	NRSA02J-392X	MG RESISTOR		
	R 42	NRSA02J-102X	MG RESISTOR		
	R 43	NRSA02J-102X	MG RESISTOR		
	R 44	NRSA02J-102X	MG RESISTOR		
	R 45	NRSA02J-102X	MG RESISTOR		
	R 46	NRSA02J-473X	MG RESISTOR		

■ Electrical parts list (Main board)

Block No. 01

△	Item	Parts number	Parts name	Remarks	Area
	R 48	NRSA02J-102X	MG RESISTOR		
	R 52	NRSA02J-472X	MG RESISTOR		
	R 54	NRSA02J-472X	MG RESISTOR		
	R 55	NRSA02J-182X	MG RESISTOR		
	R 56	NRSA02J-332X	MG RESISTOR		
	R 57	NRSA02J-102X	MG RESISTOR		
	R 66	NRSA02J-222X	MG RESISTOR		
	R 68	NRSA02J-223X	MG RESISTOR		
	R 69	NRSA02J-222X	MG RESISTOR		
△	RY191	QSK0116-001	RELAY	VH	
	R1101	NRSA02J-122X	MG RESISTOR	TU	
	R1102	NRSA02J-562X	MG RESISTOR	TU	
	R1103	NRSA02J-682X	MG RESISTOR	AHB	
	R1104	NRSA02J-272X	MG RESISTOR	LPF	
	R1106	NRSA02J-1R0X	MG RESISTOR	AHB	
	R1108	NRSA02J-273X	MG RESISTOR	AHB	
	R1110	NRSA02J-823X	MG RESISTOR	AHB	
	R1112	NRSA02J-332X	MG RESISTOR	HP	
	R1113	NRSA02J-563X	MG RESISTOR	HP	
	R1114	NRSA02J-102X	MG RESISTOR	HP	
	R1115	NRSA02J-561X	MG RESISTOR	HP	
	R1116	NRSA02J-222X	MG RESISTOR	HP.MUTE	
	R1118	NRSA02J-222X	MG RESISTOR		
	R1201	NRSA02J-122X	MG RESISTOR	TU	
	R1202	NRSA02J-562X	MG RESISTOR	TU	
	R1203	NRSA02J-682X	MG RESISTOR	AHB	
	R1204	NRSA02J-272X	MG RESISTOR	LPF	
	R1206	NRSA02J-1R0X	MG RESISTOR	AHB	
	R1208	NRSA02J-273X	MG RESISTOR	AHB	
	R1210	NRSA02J-823X	MG RESISTOR	AHB	
	R1212	NRSA02J-332X	MG RESISTOR	HP	
	R1213	NRSA02J-563X	MG RESISTOR	HP	
	R1214	NRSA02J-102X	MG RESISTOR	HP	
	R1215	NRSA02J-561X	MG RESISTOR	HP	
	R1216	NRSA02J-222X	MG RESISTOR	HP.MUTE	
	R1218	NRSA02J-222X	MG RESISTOR		
	R1302	NRSA02J-471X	MG RESISTOR	AHB	
	R1303	NRSA02J-102X	MG RESISTOR	AHB	
	R1307	NRSA02J-912X	MG RESISTOR	HP	
	R1308	NRSA02J-103X	MG RESISTOR	HP	
	R1309	NRSA02J-100X	MG RESISTOR	HP	
	R1310	NRSA02J-102X	MG RESISTOR	HP.MUTE.D	
	R1311	NRSA02J-102X	MG RESISTOR	S.MUTE.D	
	R1312	NRSA02J-471X	MG RESISTOR		
	R1313	NRSA02J-471X	MG RESISTOR		
	R1801	NRSA02J-471X	MG RESISTOR	M.DRIVER	
	R1802	NRSA02J-153X	MG RESISTOR	M.DRIVER	
	R1803	NRSA02J-473X	MG RESISTOR	M.DRIVER	
	R1804	NRSA02J-100X	MG RESISTOR	M.DRIVER	
	R1805	NRSA02J-100X	MG RESISTOR	M.DRIVER	
	R1806	NRSA02J-183X	MG RESISTOR	M.DRIVER	
	R1807	NRSA02J-471X	MG RESISTOR		
	R1808	NRSA02J-471X	MG RESISTOR		
△	R1902	NRSA02J-1R0X	MG RESISTOR	SW10	
△	R1903	NRSA02J-1R0X	MG RESISTOR	SW10	
△	R1904	NRSA02J-1R0X	MG RESISTOR	SW10	
	R1905	NRSA02J-151X	MG RESISTOR	SW10	
	R1906	NRSA02J-102X	MG RESISTOR	SW10	
△	R1907	NRSA02J-102X	MG RESISTOR	SW10	
	R1908	NRSA02J-102X	MG RESISTOR	SW10	
	R1909	NRSA02J-102X	MG RESISTOR	SW10	
	R1910	NRSA02J-472X	MG RESISTOR	SW10	
	R1911	NRSA02J-471X	MG RESISTOR	SW10	

△	Item	Parts number	Parts name	Remarks	Area
	R1912	NRSA02J-561X	MG RESISTOR	SW10	
	R1913	NRSA02J-272X	MG RESISTOR	SW10	
	R1914	NRSA02J-471X	MG RESISTOR	SW10	
	R1915	NRSA02J-822X	MG RESISTOR	SW10	
	R1916	NRSA02J-102X	MG RESISTOR	SW10	
	R1917	NRSA02J-122X	MG RESISTOR	SW10	
	R1918	NRSA02J-153X	MG RESISTOR	SW10	
	R1919	NRSA02J-512X	MG RESISTOR	SW10	
	R1920	NRSA02J-102X	MG RESISTOR	R.FIL	
△	R1921	QRZ9006-4R7X	F RESISTOR	BL7	
△	R1922	QRZ9006-4R7X	F RESISTOR	US5V	
△	R1923	QRZ9006-4R7X	F RESISTOR	TO.MICOM+B	
	R1924	NRSA02J-103X	MG RESISTOR	CD6.5	
	R1925	NRSA02J-561X	MG RESISTOR	BL7	
	R1926	NRSA02J-123X	MG RESISTOR	BL7	
	R1927	NRSA02J-103X	MG RESISTOR	BL7	
	R1928	NRSA02J-122X	MG RESISTOR	TU5	
	R1929	NRSA02J-273X	MG RESISTOR	TU5	
	R1930	NRSA02J-102X	MG RESISTOR	TU5	
	R1931	NRSA02J-390X	MG RESISTOR	TU5	
△	R1932	NRSA02J-331X	MG RESISTOR	CD6.5	
	R1933	NRSA02J-681X	MG RESISTOR	CD6.5	
	R1934	NRSA02J-152X	MG RESISTOR	CD6.5	
	R1935	NRSA02J-272X	MG RESISTOR	CD6.5	
	R1936	NRSA02J-151X	MG RESISTOR	CD6.5	
	R1937	NRSA02J-562X	MG RESISTOR	CD REG	
△	R1938	NRSA02J-102X	MG RESISTOR	SW10	
	R3101	QRE141J-682Y	C RESISTOR	IN	
	R3102	QRE141J-332Y	C RESISTOR	IN	
	R3103	QRE141J-2R2Y	C RESISTOR	OUT	
	R3104	QRE141J-2R2Y	C RESISTOR	OUT	
	R3107	QRE141J-222Y	C RESISTOR	S.MUTE	
	R3201	QRE141J-682Y	C RESISTOR	IN	
	R3202	QRE141J-332Y	C RESISTOR	IN	
	R3203	QRE141J-2R2Y	C RESISTOR	OUT	
	R3204	QRE141J-2R2Y	C RESISTOR	OUT	
	R3207	QRE141J-222Y	C RESISTOR	S.MUTE	
	R3303	QRE141J-103Y	C RESISTOR	ST.BY	
	R8001	NRSA02J-102X	MG RESISTOR		
	R8002	NRSA02J-103X	MG RESISTOR		
	R8003	NRSA02J-331X	MG RESISTOR		
	R8004	NRSA02J-331X	MG RESISTOR		
	R8005	NRSA02J-561X	MG RESISTOR		
	R8007	NRSA02J-432X	MG RESISTOR		
	R8010	NRSA02J-104X	MG RESISTOR		
	R8021	NRSA02J-101X	MG RESISTOR		
	R8022	NRSA02J-101X	MG RESISTOR		
	R8031	NRSA02J-431X	MG RESISTOR		
	R8032	NRSA02J-431X	MG RESISTOR		
	R8051	NRSA02J-101X	MG RESISTOR		
	R8052	NRSA02J-272X	MG RESISTOR		
	R8053	NRSA02J-332X	MG RESISTOR		
	R8054	NRSA02J-562X	MG RESISTOR		
	R8055	NRSA02J-123X	MG RESISTOR		
	R8056	NRSA02J-393X	MG RESISTOR		
	R8057	NRSA02J-101X	MG RESISTOR		
	R8058	NRSA02J-272X	MG RESISTOR		
	R8059	NRSA02J-332X	MG RESISTOR		
	R8060	NRSA02J-562X	MG RESISTOR		
	R8061	NRSA02J-123X	MG RESISTOR		
	R8062	NRSA02J-393X	MG RESISTOR		
	R8101	NRSA02J-220X	MG RESISTOR		
	R8102	NRSA02J-222X	MG RESISTOR		

■ Electrical parts list (Main board)

Block No. 01

△	Item	Parts number	Parts name	Remarks	Area
	R8103	NRSA02J-272X	MG RESISTOR		
	R8201	NRSA02J-220X	MG RESISTOR		
	R8202	NRSA02J-222X	MG RESISTOR		
	R8203	NRSA02J-272X	MG RESISTOR		
	R8301	NRSA02J-222X	MG RESISTOR		
	R8302	NRSA02J-222X	MG RESISTOR		
	R8303	NRSA02J-223X	MG RESISTOR	VER SD1000	
△	S1901	VMZ0126-003	VOLTAGE SELCTOR	U.ONLY	US,UT,UW
	S8001	QSW0683-001Z	PUSH SWITCH	OP/CL	
	S8002	QSW0683-001Z	PUSH SWITCH	POWER	
	S8003	QSW0683-001Z	PUSH SWITCH	VOL+	
	S8004	QSW0683-001Z	PUSH SWITCH	VOL-	
	S8005	QSW0683-001Z	PUSH SWITCH	TIMER	
	S8006	QSW0683-001Z	PUSH SWITCH	CLOCK	
	S8007	QSW0683-001Z	PUSH SWITCH	UP	
	S8008	QSW0683-001Z	PUSH SWITCH	CD	
	S8009	QSW0683-001Z	PUSH SWITCH	STOP	
	S8010	QSW0683-001Z	PUSH SWITCH	DOWN	
	S8011	QSW0683-001Z	PUSH SWITCH	AHB	
	S8012	QSW0683-001Z	PUSH SWITCH	PRESET TU	
	S8013	QSW0683-001Z	PUSH SWITCH	TUNER	
	S8014	QSW0683-001Z	PUSH SWITCH	AUX	
	T 1	QQR0793-001	IFT		
	TU 1	QAU0037-001	FRONT END	FM TU	
	X 1	QAX0402-001	CRYSTAL		
	Z1901	QNG0003-001Z	FUSE CLIP	FOR F1901	
	Z1902	QNG0003-001Z	FUSE CLIP	FOR F1901	
	Z1903	QNG0003-001Z	FUSE CLIP	FOR F1902	
	Z1904	QNG0003-001Z	FUSE CLIP	FOR F1902	
	Z1905	QNG0003-001Z	FUSE CLIP	FOR F1903	
	Z1906	QNG0003-001Z	FUSE CLIP	FOR F1903	

■ Electrical parts list (CD board)

Block No. 02

△	Item	Parts number	Parts name	Remarks	Area	△	Item	Parts number	Parts name	Remarks	Area
	CN501	QGF1201F3-08	CONNECTOR	TO MAIN			C6029	QEK0JM-107Z	E CAPACITOR	100MF 20% 6.3V	
	CN502	QGA2001C1-04	4P PLUG ASSY	TO TOPKEY			C6031	QEK1AM-227Z	E CAPACITOR	220MF 20% 10V	
	CN603	QGF1008F1-16	16PIN CONNECTOR				C6032	QEK0JM-107Z	E CAPACITOR	100MF 20% 6.3V	
	CN605	QGA2001C1-06	6P PLUG ASSY				C6033	QEK1CM-106Z	E CAPACITOR	10MF 20% 16V	
	CN701	QGF1201F3-09	CONNECTOR	TO AMP/TUNER			C6034	QFN31HJ-103Z	M CAPACITOR	.010MF 5% 50V	
	CN702	QGF1201F3-18	CONNECTOR	TO AMP/TUNER			C6051	NDC31HJ-120X	C CAPACITOR		
	CN703	QGA2001F1-11	11P CN RIG	TO FUNCTION			C6052	NDC31HJ-150X	C CAPACITOR		
	CN704	QGB1216J1-14S	CONNECTOR	TO LCD			C6053	NCB31HK-223X	C CAPACITOR		
	CN705	QGA2001F1-03	CONNECTOR	TO CD DOOR DT1			C6055	NCB31CK-473X	C CAPACITOR		
	CN706	QGA2001F1-02	2P CONNECTOR	TO DISC LED			C6058	NDC31HJ-6R0X	C CAPACITOR		
	CN708	QGA2001F1-02	2P CONNECTOR	TO FAN			C6061	NDC31HJ-471X	C CAPACITOR		
	CN804	QGA2001F1-02	2P CONNECTOR				C6062	NCB21CK-474X	C CAPACITOR		
	C5101	QETN1HM-475Z	E CAPACITOR	LINE IN			C6063	NCB31HK-223X	C CAPACITOR		
	C5102	QETN1HM-475Z	E CAPACITOR	TU IN			C6064	NCB31HK-223X	C CAPACITOR		
	C5103	QTE1H06-475Z	E CAPACITOR	CD IN			C6065	NCB21CK-154X	C CAPACITOR		
	C5104	QTE1V06-106Z	E CAPACITOR	FUC.OUT			C6071	NFV41CJ-332X	M CAPACITOR		
	C5105	QETN1CM-106Z	E CAPACITOR	LINE OUT			C6072	NFV41CJ-332X	M CAPACITOR		
	C5107	QTE1C06-226Z	E CAPACITOR	VOL OUT			C6073	QTE1A15-227Z	E CAPACITOR		
	C5108	QFN31HJ-332Z	M CAPACITOR	TRE.			C6075	NCB31HK-102X	C CAPACITOR		
	C5109	QFVJ1HJ-154Z	MF CAPACITOR	BASS			C6076	NCB31HK-102X	C CAPACITOR		
	C5110	QFVJ1HJ-154Z	MF CAPACITOR	BASS			C6080	QEK1AM-227Z	E CAPACITOR	220MF 20% 10V	
	C5111	NDC31HJ-151X	C CAPACITOR	LINE IN			C6081	QEK1AM-227Z	E CAPACITOR	220MF 20% 10V	
	C5112	NCB31HK-102X	C CAPACITOR	LINE OUT			C6083	NCB31HK-223X	C CAPACITOR		
	C5201	QETN1HM-475Z	E CAPACITOR	LINE IN			C6089	NCB31HK-472X	C CAPACITOR		
	C5202	QETN1HM-475Z	E CAPACITOR	TU IN			C6090	NCB31HK-682X	C CAPACITOR		
	C5203	QTE1H06-475Z	E CAPACITOR	CD IN			C6091	QENC1HM-105Z	NP E CAPACITOR	1.0MF 20% 50V	
	C5204	QTE1V06-106Z	E CAPACITOR	FUC.OUT			C6094	NCB31CK-104X	C CAPACITOR		
	C5205	QETN1CM-106Z	E CAPACITOR	LINE OUT			C6096	NDC31HJ-391X	C CAPACITOR		
	C5207	QTE1C06-226Z	E CAPACITOR	VOL OUT			C6097	NDC31HJ-391X	C CAPACITOR		
	C5208	QFN31HJ-332Z	M CAPACITOR	TRE.			C6098	NDC31HJ-391X	C CAPACITOR		
	C5209	QFVJ1HJ-154Z	MF CAPACITOR	BASS			C6099	NDC31HJ-391X	C CAPACITOR		
	C5210	QFVJ1HJ-154Z	MF CAPACITOR	BASS			C6154	NDC31HJ-101X	C CAPACITOR		
	C5211	NDC31HJ-151X	C CAPACITOR	LINE IN			C6156	NDC31HJ-151X	C CAPACITOR		
	C5212	NCB31HK-102X	C CAPACITOR	LINE OUT			C6157	NDC31HJ-151X	C CAPACITOR		
	C5301	QETN1CM-107Z-S	E CAPACITOR	VCC			C6158	NDC31HJ-151X	C CAPACITOR		
	C5302	QTE1V06-476Z	E CAPACITOR	1/2VCC			C6159	NCB31CK-104X	C CAPACITOR		
	C5303	QETN1HM-105Z	E CAPACITOR	L/O MUTE.D			C6199	QCZ0205-155Z	ML C CAPACITOR	1.5MF	
	C5304	NCB31HK-102X	C CAPACITOR	S.W.OUT			C6201	NDC31HJ-680X	C CAPACITOR		
	C5307	NCB31HK-103X	C CAPACITOR				C6251	NCB31CK-104X	C CAPACITOR		
	C5308	NCB31HK-103X	C CAPACITOR				C6253	NCB21CK-334X	C CAPACITOR		
	C5309	NCB31HK-103X	C CAPACITOR				C7001	NDC31HJ-180X	C CAPACITOR		
	C5310	NCB31HK-102X	C CAPACITOR				C7002	NDC31HJ-180X	C CAPACITOR		
	C6001	QEK0JM-107Z	E CAPACITOR	100MF 20% 6.3V			C7003	NDC31HJ-390X	C CAPACITOR		
	C6002	QEK1CM-106Z	E CAPACITOR	10MF 20% 16V			C7004	NCS21HJ-360X	C CAPACITOR		
	C6005	NDC31HJ-331X	C CAPACITOR				C7005	NDC31HJ-220X	C CAPACITOR		
	C6006	NCB31HK-222X	C CAPACITOR				C7006	NCS21HJ-200X	C CAPACITOR		
	C6007	NCB31HK-222X	C CAPACITOR				C7007	NCB31HK-102X	C CAPACITOR		
	C6008	QEK1HM-105Z	E CAPACITOR	1.0MF 20% 50V			C7008	NCB31HK-102X	C CAPACITOR		
	C6009	NCB31CK-104X	C CAPACITOR				C7009	NCB31HK-103X	C CAPACITOR		
	C6010	NCB31CK-273X	C CAPACITOR				C7010	QEK1AM-107Z	E CAPACITOR	100MF 20% 10V	
	C6011	NCB31HK-222X	C CAPACITOR				C7011	NCB31CK-104X	C CAPACITOR		
	C6012	NCB31HK-103X	C CAPACITOR				C7012	QEZ0229-479Z	EDL.CAPACITOR	47000MF	
	C6014	NCB21CK-224X	C CAPACITOR				C7013	QEK1CM-107Z	E CAPACITOR	100MF 20% 16V	
	C6015	NCB31HK-223X	C CAPACITOR				C7014	QFN31HJ-104Z	M CAPACITOR	.10MF 5% 50V	
	C6016	NCB31HK-223X	C CAPACITOR				C7016	NDC31HJ-101X	C CAPACITOR		
	C6017	NCB31HK-223X	C CAPACITOR				C7017	NDC31HJ-101X	C CAPACITOR		
	C6018	NCB31HK-222X	C CAPACITOR				C7018	NCB31HK-103X	C CAPACITOR		
	C6019	NDC31HJ-471X	C CAPACITOR				C7019	QEK1HM-225Z	E CAPACITOR	2.2MF 20% 50V	
	C6020	NDC31HJ-331X	C CAPACITOR				C7020	QEK1HM-475Z	E CAPACITOR	4.7MF 20% 50V	
	C6021	NCB31HK-152X	C CAPACITOR				C7022	NCB31HK-103X	C CAPACITOR		
	C6022	QEK0JM-476Z	E CAPACITOR	47MF 20% 6.3V			C7023	QEK1CM-106Z	E CAPACITOR	10MF 20% 16V	
	C6023	NCB31CK-273X	C CAPACITOR				C7112	NDC31HJ-101X	C CAPACITOR		
	C6028	NCB31CK-473X	C CAPACITOR				C7114	NDC31HJ-101X	C CAPACITOR		

■ Electrical parts list (CD board)

Block No. 02

△	Item	Parts number	Parts name	Remarks	Area
	C7119	NDC31HJ-101X	C CAPACITOR		
	C7120	NDC31HJ-101X	C CAPACITOR		
	D6001	1SS355-X	DIODE		
	D6031	MTZJ5.6C-T2	ZENER DIODE		
	D6033	1SR35-400A-T5	DIODE		
	D6061	1SS355-X	DIODE		
	D6062	1SS355-X	DIODE		
	D6063	1SS355-X	DIODE		
	D6500	MTZJ8.2B-T2	DIODE		
	D7001	1SS355-X	DIODE		
	D7002	1SS355-X	DIODE		
	D7003	1SS133-T2	SI DIODE		
	D7004	1SS133-T2	SI DIODE		
	D7005	1SS133-T2	SI DIODE		
	D7006	1SS355-X	DIODE		
	D7007	MTZJ5.1C-T2	ZENER DIODE		
	D7008	1SS133-T2	SI DIODE		
	D7009	MTZJ8.2B-T2	DIODE		
	D7010	1SS355-X	DIODE		
	IC501	BD3861FS-X	IC	FUNC/VOL	
	IC601	AN22000A-W	IC		
	IC602	LA6541-X	IC		
	IC603	MN662748RPMFA	IC		
	IC701	UPD780024AGKB19	IC		
	IC702	KIA78S06P-T	IC		
	J5301	QNS0047-001	JACK	LINE IN	
	J5302	QNS0047-001	JACK	LINE OUT	
	J5303	QNN0198-001	1PIN PINJ BLACK	S.W. OUT	
	J6001	GP1FA550TZ	OPT TRANSMITTER		
	K5302	QQR0601-001Z	FERRITE BEADS	DG	
	K6051	QQR0601-001Z	FERRITE BEADS		
	K7001	QQR0601-001Z	FERRITE BEADS		
	L7001	QQL244K-100Z	INDUCTOR		
	L7002	QQL244K-100Z	INDUCTOR		
	Q5101	2SD2114K/VW/-X	CHIP TRANSISTOR	L/O MUTE	
	Q5201	2SD2114K/VW/-X	CHIP TRANSISTOR	L/O MUTE	
	Q5301	DTA114EKA-X	DIGITAL.TR	L/O MUTE.D	
	Q5302	2SD2114K/VW/-X	CHIP TRANSISTOR	S.W.MUTE	
	Q6001	2SA1037AK/R/-X	TRANSISTOR		
	Q6031	2SC2060/QR/-T	TRANSISTOR		
	Q6500	DTD123TK-X	CHIP D.TR		
	Q7001	2SC2814/4-5/-X	TRANSISTOR		
	Q7002	2SC2814/4-5/-X	TRANSISTOR		
	Q7003	DTA114TKA-X	DIGITAL.TR		
	Q7004	2SC2412K/R/-X	TRANSISTOR		
	Q7006	2SC2412K/R/-X	TRANSISTOR		
	Q7007	DTC114EKA-X	TRANSISTOR		
	Q7008	DTA114EKA-X	DIGITAL.TR		
	Q7009	2SA1037AK/R/-X	TRANSISTOR		
	Q7010	DTC144EKA-X	TRANSISTOR		
	Q7011	2SA1037AK/R/-X	TRANSISTOR		
	R5101	NRSA63J-223X	MG RESISTOR	LINE IN	
	R5102	NRSA63J-683X	MG RESISTOR	LINE IN	
	R5103	NRSA63J-302X	MG RESISTOR	CD IN	
	R5104	NRSA63J-1R0X	MG RESISTOR	FUC.OUT	
	R5105	NRSA63J-473X	MG RESISTOR	LINE OUT	
	R5106	NRSA63J-392X	MG RESISTOR	LINE OUT	
	R5107	NRSA63J-102X	MG RESISTOR	LINE OUT	
	R5108	NRSA63J-222X	MG RESISTOR	L/O MUTE	
	R5109	NRSA63J-103X	MG RESISTOR	S.W.OUT	
	R5110	NRSA63J-332X	MG RESISTOR	BASS	
	R5201	NRSA63J-223X	MG RESISTOR	LINE IN	
	R5202	NRSA63J-683X	MG RESISTOR	LINE IN	

△	Item	Parts number	Parts name	Remarks	Area
	R5203	NRSA63J-302X	MG RESISTOR	CD IN	
	R5204	NRSA63J-1R0X	MG RESISTOR	FUC.OUT	
	R5205	NRSA63J-473X	MG RESISTOR	LINE OUT	
	R5206	NRSA63J-392X	MG RESISTOR	LINE OUT	
	R5207	NRSA63J-102X	MG RESISTOR	LINE OUT	
	R5208	NRSA63J-222X	MG RESISTOR	L/O MUTE	
	R5209	NRSA63J-103X	MG RESISTOR	S.W.OUT	
	R5210	NRSA63J-332X	MG RESISTOR	BASS	
	R5301	NRSA63J-223X	MG RESISTOR	L/O MUTE D	
	R5302	NRSA63J-222X	MG RESISTOR	S.W.MUTE	
	R5303	NRSA63J-473X	MG RESISTOR	S.W.OUT	
	R5304	NRSA63J-102X	MG RESISTOR	S.W.OUT	
	R5305	NRSA63J-1R5X	MG RESISTOR	VCC	
	R6001	NRSA63J-682X	MG RESISTOR		
	R6005	NRSA63J-184X	MG RESISTOR		
	R6006	NRSA63J-274X	MG RESISTOR		
	R6007	NRSA63J-393X	MG RESISTOR		
	R6008	NRSA63J-394X	MG RESISTOR		
	R6009	NRSA63J-473X	MG RESISTOR		
	R6010	NRSA63J-154X	MG RESISTOR		
	R6012	NRSA63J-822X	MG RESISTOR		
	R6013	NRSA63J-121X	MG RESISTOR		
	R6014	NRSA63J-100X	MG RESISTOR		
	R6015	NRSA63J-120X	MG RESISTOR		
	R6016	NRSA63J-910X	MG RESISTOR		
	R6021	NRSA63J-330X	MG RESISTOR		
	R6024	NRSA63J-103X	MG RESISTOR		
	R6025	NRSA63J-103X	MG RESISTOR		
	R6026	NRSA63J-222X	MG RESISTOR		
	R6028	NRSA63J-222X	MG RESISTOR		
	R6031	NRSA63J-102X	MG RESISTOR		
	R6032	NRSA63J-102X	MG RESISTOR		
	R6033	NRSA63J-102X	MG RESISTOR		
	R6040	NRSA63J-102X	MG RESISTOR		
	R6041	NRSA63J-184X	MG RESISTOR		
	R6042	NRSA63J-472X	MG RESISTOR		
	R6043	NRSA63J-912X	MG RESISTOR		
	R6044	NRSA63J-393X	MG RESISTOR		
	R6045	NRSA63J-433X	MG RESISTOR		
	R6046	NRSA63J-392X	MG RESISTOR		
	R6047	NRSA63J-472X	MG RESISTOR		
	R6048	NRSA63J-272X	MG RESISTOR		
	R6050	NRSA63J-332X	MG RESISTOR		
	R6051	NRSA63J-102X	MG RESISTOR		
	R6052	NRSA63J-102X	MG RESISTOR		
	R6053	NRSA63J-101X	MG RESISTOR		
	R6054	NRSA63J-102X	MG RESISTOR		
	R6056	NRSA63J-0R0X	MG RESISTOR		
	R6057	NRSA63J-0R0X	MG RESISTOR		
	R6058	NRSA63J-0R0X	MG RESISTOR		
	R6059	NRSA63J-471X	MG RESISTOR		
	R6060	NRSA63J-471X	MG RESISTOR		
	R6061	NRSA63J-104X	MG RESISTOR		
	R6063	NRSA63J-124X	MG RESISTOR		
	R6064	NRSA63J-331X	MG RESISTOR		
	R6066	NRSA63J-470X	MG RESISTOR		
	R6067	NRSA63J-220X	MG RESISTOR		
	R6068	NRSA63J-220X	MG RESISTOR		
	R6069	NRSA63J-155X	MG RESISTOR		
	R6071	QRE141J-102Y	C RESISTOR	1.0K 5% 1/4W	
	R6072	QRE141J-102Y	C RESISTOR	1.0K 5% 1/4W	
	R6201	NRSA63J-472X	MG RESISTOR		
	R6202	NRSA63J-222X	MG RESISTOR		

■ Electrical parts list (CD board)

Block No. 02

△	Item	Parts number	Parts name	Remarks	Area
	R6203	NRSA63J-0R0X	MG RESISTOR		
	R6204	NRSA63J-623X	MG RESISTOR		
	R6205	NRSA63J-393X	MG RESISTOR		
	R6251	NRSA63J-102X	MG RESISTOR		
	R6252	NRSA63J-105X	MG RESISTOR		
	R6254	NRSA63J-104X	MG RESISTOR		
	R6256	NRSA63J-564X	MG RESISTOR		
	R6257	NRSA63J-0R0X	MG RESISTOR		
	R6258	NRSA63J-272X	MG RESISTOR		
	R6500	NRSA63J-272X	MG RESISTOR		
	R7001	NRSA63J-822X	MG RESISTOR		
	R7002	NRSA63J-822X	MG RESISTOR		
	R7003	NRSA63J-103X	MG RESISTOR		
	R7004	NRSA63J-103X	MG RESISTOR		
	R7005	NRSA63J-331X	MG RESISTOR		
	R7006	NRSA63J-222X	MG RESISTOR		
	R7007	NRSA63J-222X	MG RESISTOR		
	R7008	NRSA63J-222X	MG RESISTOR		
	R7009	NRSA63J-222X	MG RESISTOR		
	R7010	NRSA63J-222X	MG RESISTOR		
	R7011	NRSA63J-222X	MG RESISTOR		
	R7012	NRSA63J-222X	MG RESISTOR		
	R7013	NRSA63J-102X	MG RESISTOR		
	R7014	NRSA63J-103X	MG RESISTOR		
	R7016	NRSA63J-222X	MG RESISTOR		
	R7017	NRSA63J-222X	MG RESISTOR		
	R7018	NRSA63J-0R0X	MG RESISTOR		
	R7019	NRSA63J-102X	MG RESISTOR		
	R7020	NRSA63J-222X	MG RESISTOR		
	R7021	NRSA63J-102X	MG RESISTOR		
	R7022	NRSA63J-102X	MG RESISTOR		
	R7023	NRSA63J-101X	MG RESISTOR		
	R7024	NRSA63J-102X	MG RESISTOR		
	R7025	NRSA63J-102X	MG RESISTOR		
	R7026	NRSA63J-102X	MG RESISTOR		
	R7027	NRSA63J-102X	MG RESISTOR		
	R7028	NRSA63J-222X	MG RESISTOR		
	R7029	NRSA63J-103X	MG RESISTOR		
	R7030	NRSA63J-222X	MG RESISTOR		
	R7031	NRSA63J-103X	MG RESISTOR		
	R7032	NRSA63J-222X	MG RESISTOR		
	R7033	NRSA63J-103X	MG RESISTOR		
	R7034	NRSA63J-222X	MG RESISTOR		
	R7035	NRSA63J-103X	MG RESISTOR		
	R7036	NRSA63J-222X	MG RESISTOR		
	R7037	NRSA63J-222X	MG RESISTOR		
	R7038	NRSA63J-273X	MG RESISTOR	VERSION	UF,US,UT
	R7038	NRSA63J-273X	MG RESISTOR	VERSION	UP
	R7038	NRSA63J-683X	MG RESISTOR	VERSION	UW
	R7039	NRSA63J-472X	MG RESISTOR	VERSION	UF,US,UT
	R7039	NRSA63J-472X	MG RESISTOR	VERSION	UP
	R7039	NRSA63J-273X	MG RESISTOR	VERSION	UW
	R7040	NRSA63J-102X	MG RESISTOR		
	R7041	NRSA63J-103X	MG RESISTOR		
	R7042	NRSA63J-103X	MG RESISTOR		
	R7043	NRSA63J-103X	MG RESISTOR		
	R7044	NRSA63J-103X	MG RESISTOR		
	R7045	NRSA63J-222X	MG RESISTOR		
	R7046	NRSA63J-222X	MG RESISTOR		
	R7048	NRSA63J-102X	MG RESISTOR		
	R7049	NRSA63J-102X	MG RESISTOR		
	R7050	NRSA63J-104X	MG RESISTOR		
	R7051	NRSA63J-473X	MG RESISTOR		

△	Item	Parts number	Parts name	Remarks	Area
	R7052	NRSA63J-333X	MG RESISTOR		
	R7053	NRSA63J-222X	MG RESISTOR		
	R7054	NRSA63J-222X	MG RESISTOR		
	R7055	NRSA63J-222X	MG RESISTOR		
	R7056	NRSA63J-103X	MG RESISTOR		
	R7057	NRSA63J-103X	MG RESISTOR		
	R7058	NRSA63J-103X	MG RESISTOR		
	R7059	NRSA63J-103X	MG RESISTOR		
	R7060	NRSA63J-103X	MG RESISTOR		
	R7061	NRSA63J-103X	MG RESISTOR		
	R7062	NRSA63J-222X	MG RESISTOR		
	R7063	NRSA63J-222X	MG RESISTOR		
	R7064	NRSA63J-471X	MG RESISTOR		
	R7065	NRSA63J-222X	MG RESISTOR		
	R7066	NRSA63J-222X	MG RESISTOR		
	R7067	NRSA63J-222X	MG RESISTOR		
	R7068	NRSA63J-222X	MG RESISTOR		
	R7069	NRSA63J-222X	MG RESISTOR		
	R7070	NRSA63J-102X	MG RESISTOR		
	R7071	NRSA63J-102X	MG RESISTOR		
	R7072	NRSA63J-222X	MG RESISTOR		
	R7073	NRSA63J-102X	MG RESISTOR		
	R7074	NRSA63J-103X	MG RESISTOR		
	R7075	NRSA63J-103X	MG RESISTOR		
	R7076	NRSA63J-103X	MG RESISTOR		
	R7077	NRSA63J-103X	MG RESISTOR		
	R7078	NRSA63J-103X	MG RESISTOR		
	R7079	NRSA63J-682X	MG RESISTOR		US
	R7079	NRSA63J-512X	MG RESISTOR		UF,UP,UT
	R7079	NRSA63J-512X	MG RESISTOR		UW
	S8021	QSW0851-001	DETECT SWITCH		
	S8022	QSW0851-001	DETECT SWITCH		
	TH701	QAD0015-103Z	THERMISTOR		
	X6051	QAX0413-001Z	CRYSTAL		
	X7001	QAX0401-001	CRYSTAL		
	X7002	QAX0410-001	CERA LOCK		

■ Electrical parts list (Sub board)

Block No. 03

△	Item	Parts number	Parts name	Remarks	Area
	CN606	QGF1006F1-16W	CONNECTOR		

■ Electrical parts list (Sub woofer board) Block No. 04

△	Item	Parts number	Parts name	Remarks	Area	△	Item	Parts number	Parts name	Remarks	Area
	CN211	QGB2016J1-15	CONNECTOR	TO WOOF.PWB		△	C2911	QEZ0223-478	E CAPACITER	4700MF	
	CN221	QGB2016K1-15	B TO B CONNE	TO CONT.PWB		△	C2912	QEZ0223-478	E CAPACITER	4700MF	
	CN251	QGA2501C1-02	2P CONNECTOR				C2914	QFG32AJ-223Z	PP CAPACITOR	.022MF 5% 100V	
	CN281	QGA3901C1-02	CONNECTOR	FOR SPK			C2915	QFG32AJ-223Z	PP CAPACITOR	.022MF 5% 100V	
	CN291	QGA3901C1-05	5P CONNECTOR	FOR SEC.POWER			C2917	QFG32AJ-223Z	PP CAPACITOR	.022MF 5% 100V	
△	CN299	QGA7901C1-02	CONNECTOR		UF,UP	△	C2921	QETM1EM-688	E CAPACITOR	6800MF 20% 25V	
△	CN299	QGA7901C1-04	CONNECTOR		US,UT,UW	△	C2922	QETM1EM-688	E CAPACITOR	6800MF 20% 25V	
	C2101	QTE1H28-106Z	E CAPACITOR				C2924	QFG32AJ-223Z	PP CAPACITOR	.022MF 5% 100V	
	C2102	QTE1H28-106Z	E CAPACITOR				C2925	QFG32AJ-223Z	PP CAPACITOR	.022MF 5% 100V	
	C2103	QDXB1CM-562Y	C CAPACITOR				C2927	QFG32AJ-223Z	PP CAPACITOR	.022MF 5% 100V	
	C2104	QFN31HJ-823Z	M CAPACITOR	.082MF 5% 50V			C2928	QETN1HM-225Z	E CAPACITOR	2.2MF 20% 50V	
	C2105	QFN31HJ-823Z	M CAPACITOR	.082MF 5% 50V			C8117	QCBB1HK-151Y	C CAPACITOR	150PF 10% 50V	
	C2106	QFVJ1HJ-274Z	MF CAPACITOR	.27MF 5% 50V			C8118	QCBB1HK-151Y	C CAPACITOR	150PF 10% 50V	
	C2107	QFN31HJ-473Z	M CAPACITOR	.047MF 5% 50V			D2201	MTZJ8.2C-T2	ZENER DIODE		
	C2108	QFN31HJ-333Z	M CAPACITOR	.033MF 5% 50V			D2202	MTZJ8.2C-T2	ZENER DIODE		
	C2109	QFN31HJ-473Z	M CAPACITOR	.047MF 5% 50V			D2205	MTZJ33C-T2	Z DIODE		
	C2110	QFN31HJ-332Z	M CAPACITOR	3300PF 5% 50V			D2206	MTZJ33C-T2	Z DIODE		
	C2111	QTE1H28-226Z	E CAPACITOR				D2207	1SS133-T2	SI DIODE		
	C2112	QCBB1HK-103Y	C CAPACITOR	.010MF 10% 50V			D2208	1SS133-T2	SI DIODE		
	C2113	QCBB1HK-103Y	C CAPACITOR	.010MF 10% 50V			D2209	1SS133-T2	SI DIODE		
	C2114	QDGB1HK-102Y	C CAPACITOR			△	D2211	1N5402M-20	DIODE		
	C2115	QDGB1HK-102Y	C CAPACITOR			△	D2212	1N5402M-20	DIODE		
	C2116	QETN1HM-105Z	E CAPACITOR	1.0MF 20% 50V			D2501	1SS133-T2	SI DIODE		
	C2121	QTE1H28-226Z	E CAPACITOR				D2502	1SS133-T2	SI DIODE		
	C2122	QCBB1HK-151Y	C CAPACITOR	150PF 10% 50V			D2503	1SS133-T2	SI DIODE		
	C2201	QCBB1HK-101Y	C CAPACITOR	100PF 10% 50V			D2504	1SS133-T2	SI DIODE		
	C2202	QTE1H28-107Z	E CAPACITOR				D2505	1SS133-T2	SI DIODE		
	C2203	QTE1H28-107Z	E CAPACITOR				D2506	1SS133-T2	SI DIODE		
	C2204	QTE1V06-106Z	E CAPACITOR				D2507	1SS133-T2	SI DIODE		
	C2205	QCBB1HK-471Y	C CAPACITOR	470PF 10% 50V			D2508	1SS133-T2	SI DIODE		
	C2206	QENC1HM-225Z	NP E CAPACITOR	2.2MF 20% 50V			D2509	1SS133-T2	SI DIODE		
	C2207	QCBB1HK-221Y	C CAPACITOR	220PF 10% 50V			D2510	1SS133-T2	SI DIODE		
	C2208	QFVJ1HJ-224Z	MF CAPACITOR	.22MF 5% 50V			D2511	MTZJ6.8B-T2	ZENER DIODE		
	C2209	QFVJ1HJ-224Z	MF CAPACITOR	.22MF 5% 50V			D2701	MTZJ10B-T2	ZENER DIODE		
	C2210	QETN1EM-106Z	E CAPACITOR	10MF 20% 25V			D2702	MTZJ10B-T2	ZENER DIODE		
	C2211	QETN1EM-476Z	E CAPACITOR	47MF 20% 25V			D2801	1SS133-T2	SI DIODE		
	C2212	QETN1CM-107Z	E CAPACITOR	100MF 20% 16V		△	D2911	D5SBA20-S1	SI DIODE	+/-35V	
	C2213	QDCB1HK-8R2Y	C CAPACITOR			△	D2921	D5SBA20-S1	SI DIODE	+/-15V	
	C2214	QFVJ1HJ-104Z	MF CAPACITOR	.10MF 5% 50V		△	D2924	DSK10C-T1	DIODE		
	C2215	QTE1E28-107Z	E CAPACITOR				IC211	NJM4580D-D	IC		
	C2217	QTE1V06-106Z	E CAPACITOR				IC212	NJM4580D-D	IC		
	C2218	QTE1V06-106Z	E CAPACITOR				IC213	NJM4580D-D	IC		
	C2219	QETN1HM-105Z	E CAPACITOR	1.0MF 20% 50V		△	IC221	STK411-290E	IC	WOOFER AMP	
	C2231	QCBB1HK-151Y	C CAPACITOR	150PF 10% 50V			IC251	TC74HCU04AP	IC		
	C2232	QCBB1HK-101Y	C CAPACITOR	100PF 10% 50V			IC261	UPC78L05J-T	IC		
	C2233	QCBB1HK-151Y	C CAPACITOR	150PF 10% 50V			J2101	QNN0090-001	PIN JACK		
	C2234	QCBB1HK-151Y	C CAPACITOR	150PF 10% 50V			J2102	QNB0095-002	SPK TERMINAL		
	C2252	QFVJ1HJ-104Z	MF CAPACITOR	.10MF 5% 50V			L2201	QQLZ005-R45	INDUCTOR		
	C2253	QDYB1CM-103Y	C CAPACITOR				PP291	QNZ0079-001Z	TAB		
	C2501	QETN1EM-226Z	E CAPACITOR	22MF 20% 25V			PP292	QNZ0079-001Z	TAB		
	C2502	QETN1AM-107Z	E CAPACITOR	100MF 20% 10V			Q2101	KTC3199/GL-T	TRANSISTOR		
	C2503	QETN1EM-107Z	E CAPACITOR	100MF 20% 25V			Q2102	KTC3199/GL-T	TRANSISTOR		
	C2504	QETN1HM-106Z	E CAPACITOR	10MF 20% 50V		△	Q2201	KTC3199/GL-T	TRANSISTOR		
	C2505	QCBB1HK-101Y	C CAPACITOR	100PF 10% 50V			Q2202	KTA1267/YG-T	TRANSISTOR		
	C2506	QETN1HM-106Z	E CAPACITOR	10MF 20% 50V			Q2203	KTC3199/GL-T	TRANSISTOR		
	C2507	QDYB1CM-103Y	C CAPACITOR				Q2204	KTA1267/YG-T	TRANSISTOR		
	C2508	QETN0JM-477Z	E CAPACITOR	470MF 20% 6.3V			Q2501	KTC3199/GL-T	TRANSISTOR		
	C2701	QTE1C06-476Z	E CAPACITOR				Q2502	KTC3199/GL-T	TRANSISTOR		
	C2702	QTE1C06-476Z	E CAPACITOR			△	Q2701	2SD400MP/EF-T	TRANSISTOR		
	C2703	QTE1E28-107Z	E CAPACITOR			△	Q2702	2SB544MP/EF-T	TRANSISTOR		
	C2704	QTE1E28-107Z	E CAPACITOR				Q2801	2SC945/PK-T	TRANSISTOR		
	C2801	QETN1HM-105Z	E CAPACITOR	1.0MF 20% 50V		△	RY281	QSK0109-001	RELAY		
△	C2901	QCZ9104-472	C CAPACITOR	4700PF			R2101	QRE141J-474Y	C RESISTOR	470K 5% 1/4W	

■ Electrical parts list (Sub woofer board) Block No. 04

△	Item	Parts number	Parts name	Remarks	Area	△	Item	Parts number	Parts name	Remarks	Area
	R2102	QRE141J-474Y	C RESISTOR	470K 5% 1/4W			R2506	QRE141J-105Y	C RESISTOR	1.0M 5% 1/4W	
	R2103	QRE141J-563Y	C RESISTOR	56K 5% 1/4W			R2507	QRE141J-222Y	C RESISTOR	2.2K 5% 1/4W	
	R2104	QRE141J-563Y	C RESISTOR	56K 5% 1/4W			R2512	QRE141J-472Y	C RESISTOR	4.7K 5% 1/4W	
	R2105	QRE141J-683Y	C RESISTOR	68K 5% 1/4W			R2514	QRE141J-105Y	C RESISTOR	1.0M 5% 1/4W	
	R2106	QRE141J-102Y	C RESISTOR	1.0K 5% 1/4W			R2515	QRE141J-472Y	C RESISTOR	4.7K 5% 1/4W	
	R2107	QRE141J-222Y	C RESISTOR	2.2K 5% 1/4W			R2516	QRE141J-473Y	C RESISTOR	47K 5% 1/4W	
	R2108	QRE141J-273Y	C RESISTOR	27K 5% 1/4W			R2517	QRE141J-564Y	C RESISTOR	560K 5% 1/4W	
	R2109	QRE141J-332Y	C RESISTOR	3.3K 5% 1/4W			R2518	QRE141J-220Y	C RESISTOR	22 5% 1/4W	
	R2110	QRE141J-334Y	C RESISTOR	330K 5% 1/4W			R2519	QRE141J-514Y	C RESISTOR	510K 5% 1/4W	
	R2111	QRE141J-562Y	C RESISTOR	5.6K 5% 1/4W			R2520	QRE141J-472Y	C RESISTOR	4.7K 5% 1/4W	
	R2112	QRE141J-562Y	C RESISTOR	5.6K 5% 1/4W			R2521	QRE141J-102Y	C RESISTOR	1.0K 5% 1/4W	
	R2113	QRE141J-153Y	C RESISTOR	15K 5% 1/4W			R2522	QRE141J-181Y	C RESISTOR	180 5% 1/4W	
	R2114	QRE141J-123Y	C RESISTOR	12K 5% 1/4W			R2523	QRE141J-220Y	C RESISTOR	22 5% 1/4W	
	R2115	QRE141J-103Y	C RESISTOR	10K 5% 1/4W			△ R2701	QRZ9005-100X	F RESISTOR	10 1/4W	
	R2116	QRE141J-393Y	C RESISTOR	39K 5% 1/4W			△ R2702	QRZ9005-100X	F RESISTOR	10 1/4W	
	R2117	QRE141J-332Y	C RESISTOR	3.3K 5% 1/4W			R2703	QRE141J-152Y	C RESISTOR	1.5K 5% 1/4W	
	R2118	QRE141J-154Y	C RESISTOR	150K 5% 1/4W			R2704	QRE141J-152Y	C RESISTOR	1.5K 5% 1/4W	
	R2119	QRE141J-154Y	C RESISTOR	150K 5% 1/4W			△ R2705	QRZ9005-100X	F RESISTOR	10 1/4W	
	R2120	QRE141J-154Y	C RESISTOR	150K 5% 1/4W			△ R2801	QRJ146J-182X	UNF C RESISTOR	1.8K 5% 1/4W	
	R2121	QRE141J-154Y	C RESISTOR	150K 5% 1/4W			△ R2802	QRJ146J-182X	UNF C RESISTOR	1.8K 5% 1/4W	
	R2122	QRE141J-562Y	C RESISTOR	5.6K 5% 1/4W			△ R2803	QRJ146J-182X	UNF C RESISTOR	1.8K 5% 1/4W	
	R2123	QRE141J-562Y	C RESISTOR	5.6K 5% 1/4W			R2811	QRE141J-622Y	C RESISTOR	6.2K 5% 1/4W	
	R2124	QRE141J-822Y	C RESISTOR	8.2K 5% 1/4W			R2812	QRE141J-472Y	C RESISTOR	4.7K 5% 1/4W	
	R2125	QRE141J-154Y	C RESISTOR	150K 5% 1/4W			R2921	QRE141J-333Y	C RESISTOR	33K 5% 1/4W	
	R2126	QRE141J-224Y	C RESISTOR	220K 5% 1/4W			△ R2922	QRZ9006-4R7X	F RESISTOR	4.7 1/4W	
	R2127	QRE141J-102Y	C RESISTOR	1.0K 5% 1/4W			S2101	QSW0834-001	PUSH SW	PHASE CHANGE	
	R2128	QRE141J-102Y	C RESISTOR	1.0K 5% 1/4W			△ S2901	QSW0632-001	PUSH SWITCH		
△	R2201	QRZ9005-100X	F RESISTOR	10 1/4W		△	S2902	QSW0838-001	VOLTAGE SWITCH		US,UT,UW
△	R2202	QRZ9015-101X	F RESISTOR	100 1/4W			VR211	QVQ0021-B14	V RESISTOR		
△	R2203	QRZ9015-101X	F RESISTOR	100 1/4W			WC281	QZW0038-001	WIRE CLAMP		
	R2204	QRE141J-272Y	C RESISTOR	2.7K 5% 1/4W			WR 1	QUB220-07HPDM	SIN TWIST WIRE	ANT GND - BOTTO	
	R2205	QRE141J-272Y	C RESISTOR	2.7K 5% 1/4W			WR 2	QUB220-05HPDM	SIN TWIST WIRE	ANT GND-BOTTOM	
	R2206	QRE141J-563Y	C RESISTOR	56K 5% 1/4W			WR501	QUB270-07HPDM	SIN TWIST WIRE	FUNCTION - BOTT	
	R2207	QRE141J-102Y	C RESISTOR	1.0K 5% 1/4W			WR502	QUB220-08HPDM	SIN TWIST WIRE	EMC TAISAKU	
	R2208	QRE141J-822Y	C RESISTOR	8.2K 5% 1/4W			W1801	QJK021-021502	SIN CR C-B WIRE	MAIN - MICOM	
	R2209	QRE141J-104Y	C RESISTOR	100K 5% 1/4W			W3001	QJK002-061201	SIN CR C-B WIRE	POWER - MAIN	
△	R2210	QRT01DJ-R33X	UNF.MF.RESISTOR	5% 1/1W			W3002	QJK019-040704	SIN CR C-B WIRE	SPK - POWER	
△	R2211	QRT01DJ-R33X	UNF.MF.RESISTOR	5% 1/1W			△ W3901	QJK019-072002	SIN CR C-B WIRE	POWER - MAIN	
	R2212	QRE141J-122Y	C RESISTOR	1.2K 5% 1/4W			W5001	QJK018-110501	SIN CR C-B WIRE	FUNCTION - MICO	
△	R2213	QRJ146J-100X	UNF.C RESISTOR	10 5% 1/4W			W8001	QJK018-020502	SIN CR C-B WIRE	LCD BACKLIGHT -	
	R2214	QRE141J-103Y	C RESISTOR	10K 5% 1/4W			W8002	QJK018-040504	SIN CR C-B WIRE	TOPKEY - FUNCTI	
	R2215	QRE141J-223Y	C RESISTOR	22K 5% 1/4W			W8003	QJK018-021202	SIN CR C-B WIRE	TOPKEY - DOOR D	
△	R2216	QRZ9005-100X	F RESISTOR	10 1/4W			W8004	QJK018-030503	SIN CR C-B WIRE	DOOR DT1 - MICO	
	R2217	QRE141J-104Y	C RESISTOR	100K 5% 1/4W			W8005	QJK018-020502	SIN CR C-B WIRE	DISC LED - MICO	
	R2218	QRE141J-103Y	C RESISTOR	10K 5% 1/4W			Z 292	QNG0003-001Z	FUSE CLIP		
	R2219	QRE141J-104Y	C RESISTOR	100K 5% 1/4W			Z 293	QNG0003-001Z	FUSE CLIP		
	R2220	QRE141J-103Y	C RESISTOR	10K 5% 1/4W			Z 294	QNG0003-001Z	FUSE CLIP		
	R2221	QRE141J-104Y	C RESISTOR	100K 5% 1/4W			Z 295	QNG0003-001Z	FUSE CLIP		
	R2222	QRE141J-823Y	C RESISTOR	82K 5% 1/4W			Z 296	QNG0003-001Z	FUSE CLIP		US,UT,UW
	R2223	QRE141J-563Y	C RESISTOR	56K 5% 1/4W			Z 297	QNG0003-001Z	FUSE CLIP		
	R2224	QRE141J-563Y	C RESISTOR	56K 5% 1/4W			Z 298	QNG0003-001Z	FUSE CLIP		
	R2225	QRE141J-333Y	C RESISTOR	33K 5% 1/4W			Z 299	QNG0003-001Z	FUSE CLIP		
	R2226	QRE141J-561Y	C RESISTOR	560 5% 1/4W							
	R2227	QRE141J-563Y	C RESISTOR	56K 5% 1/4W							
	R2228	QRE141J-102Y	C RESISTOR	1.0K 5% 1/4W							
△	R2229	QRT01DJ-R33X	UNF.MF.RESISTOR	5% 1/1W							
	R2233	QRE141J-472Y	C RESISTOR	4.7K 5% 1/4W							
	R2252	QRE141J-100Y	C RESISTOR	10 5% 1/4W							
	R2501	QRE141J-102Y	C RESISTOR	1.0K 5% 1/4W							
	R2502	QRE141J-123Y	C RESISTOR	12K 5% 1/4W							
	R2503	QRE141J-104Y	C RESISTOR	100K 5% 1/4W							
	R2504	QRE141J-102Y	C RESISTOR	1.0K 5% 1/4W							
	R2505	QRE141J-104Y	C RESISTOR	100K 5% 1/4W							

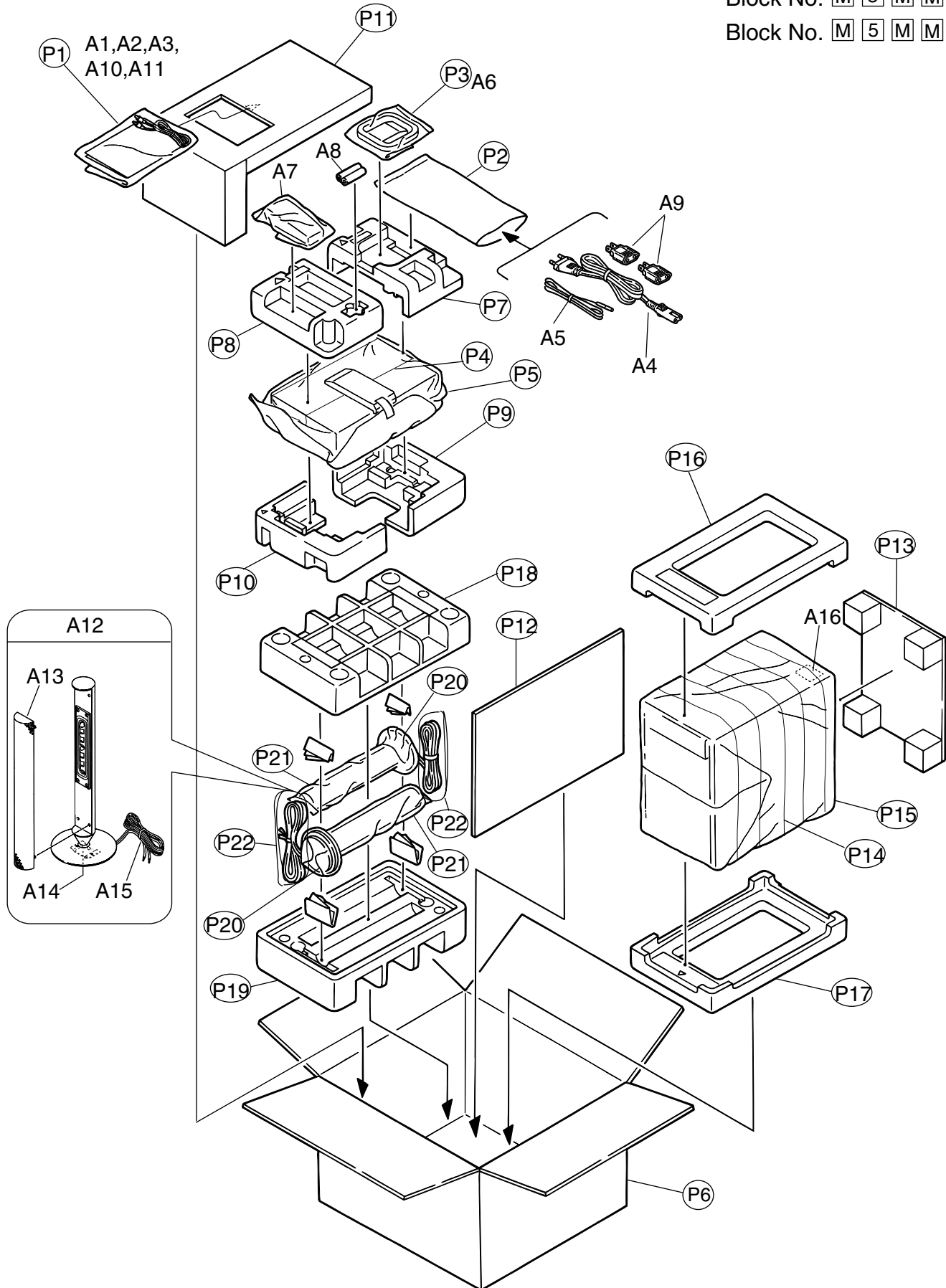
Packing materials and accessories parts list

Block No.

M	3	M	M
---	---	---	---

Block No.

M	5	M	M
---	---	---	---



■ Parts list(Packing)

Block No. M3MM

△	Item	Parts number	Parts name	Q'ty	Description	Area
	P 1	QPA02503503P	POLY BAG	1	FOR INST	
	P 2	QPA01503503	POLY BAG	1	FOR P.CORD	
	P 3	QPA01702503P	POLY BAG	1	FOR AM ANT	
	P 4	QPF02604415	SHEET	1		
	P 5	QPC04504515P	POLY BAG	1	FOR SET	
	P 6	LV32723-003A	CARTON	1		UP US UT UW
		LV32723-004A	CARTON	1		UF
	P 7	LV20760-001A	CUSHION TOP(L)	1	TOP (L)	
	P 8	LV20760-002A	CUSHION TOP(R)	1	TOP (R)	
	P 9	LV20761-001A	CUSHION BTM (L)	1	BOTTOM (L)	
	P 10	LV20761-002A	CUSHION BTM (R)	1	BOTTOM (R)	
	P 11	LV32773-001A	CARTON SPACER	1		
	P 12	LV32774-001A	PARTING CARTON	1		
	P 13	LV32781-001A	CARTON SHEET	1	SP-PW1000	
	P 14	85-000-353-41	MIRROR MAT	1	SP-PW1000	
	P 15	85-000-377-41	POLY BAG	1	SP-PW1000	
	P 16	80-000-450-01	TOP CUSHION	1	SP-PW1000	
	P 17	80-000-450-11	BOTTOM CUSHION	1	SP-PW1000	
	P 18	80-000-455-01	TOP CUSHION	1	SP-FSSD1000	
	P 19	80-000-455-11	BOTTOM CUSHION	1	SP-FSSD1000	
	P 20	85-000-416-11	POLY BAG	1	SP-FSSD1000	
	P 21	85-000-357-31	POLY BAG	1	SP-FSSD1000	
	P 22	85-000-357-51	POLY BAG	1	SP-FSSD1000	

■ Parts list (Accessories)

Block No. M5MM

△	Item	Parts number	Parts name	Q'ty	Description	Area
	A 1	QAM0199-001	PIN CABLE	1		
	A 2	LVT0685-003A	INST BOOK	1	CHI	UF
		LVT0685-004A	INST BOOK	1	KOR	UP
		LVT0685-005A	INST BOOK	1	CHI	UT
		LVT0685-002A	INST BOOK	1	ENG SPA POR CHI	US UW
	A 3	LV42286-001A	FOOT	1		
△	A 4	QMP7350-150	POWER CORD	1		UT
△		VMP0121-001	POWER CORD	1		UP
△		QMPS020-183-JC	POWER CORD	1		UF
△		QMPL080-183-JC	POWER CORD	1		US UW
	A 5	EWP503-001C	ANT.WIRE	1	FM ANT	
	A 6	QAL0014-001	AM LOOP ANT	1	AM ANT	
	A 7	RM-SFSSD1000U	REMOCON UNIT	1		
	A 8	-----	BATTERY	1	FOR REMOCON	
△	A 9	QAM0112-001	AC PLUG ADAPTER	2		US UW
△		QAM0027-001	AC PLUG ADAPTER	2		UT
	A 10	BT-59007-2	WARRANTY CARD	1	SP-FSSD1000	UF
		BT-56010-1	WARRANTY CARD	1	SP-FSSD1000	UP
	A 11	BT-59009-1	SERVICE NETWORK	1	SP-FSSD1000	UF
	A 12	FSSD1000K-SPBOX	SPEAKER BOX	2	SP-FSSD1000	
	A 13	55-100-047-01	SPEAKER NET	2	SP-FSSD1000	
	A 14	90-000-064-01	TERMINAL COVER	2	SP-FSSD1000	
	A 15	62-000-409-01	SPEAKER CORD	2	SP-FSSD1000	
	A 16	60-001-841-01	CAUTION LABEL	1	SP-PW1000	